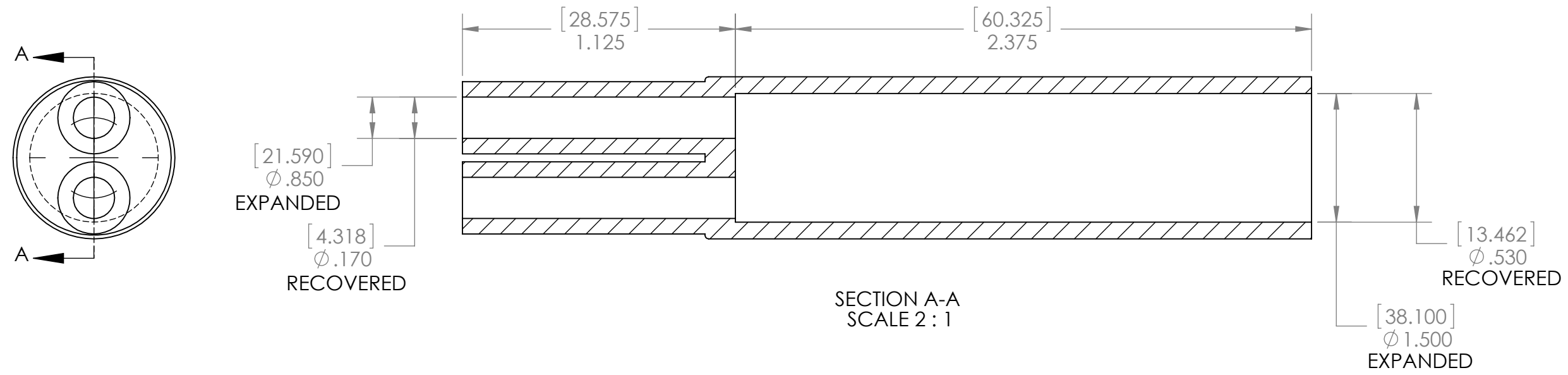
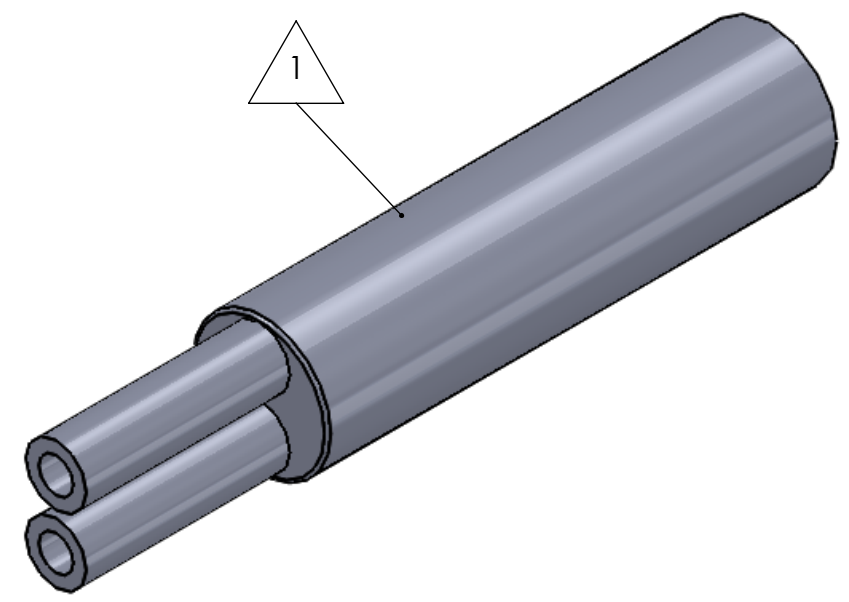


8 7 6 5 4 3 2 1

D
C
B
A



ITEM	PART DESCRIPTION	PART NO.	MATERIAL
①	Heat-shrinkable boot		HS 3123
⑤	Adhesive	A-010	Hotmelt ADH

Nu-Tech

UNLESS OTHERWISE SPECIFIED:
DIMENSIONS ARE IN INCHES
TOLERANCES:
FRACTIONAL ± 1/32
THREE PLACE DECIMAL ± 0.030

DO NOT SCALE DRAWING

DRAWN: HH DATE: 3/10/2015

PART NO. **NUBB2-2OE**

DWG. NO. PRP:"SW-Title"

WEIGHT: SW-Mass@par19.SLDPRT REV

SCALE: 1:1 SHEET 1 OF 1

8 7 6 5 4 3 2 1