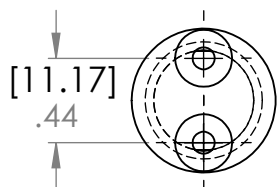
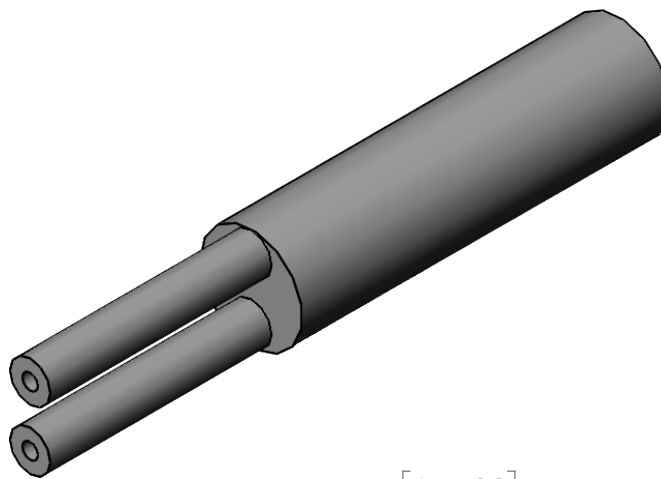
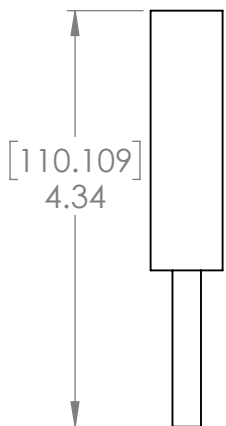
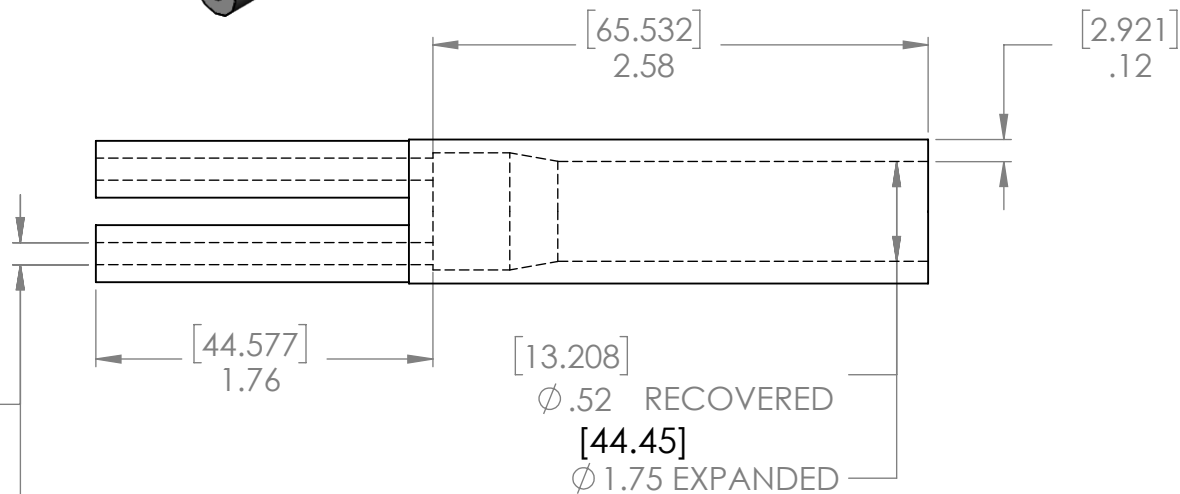


B

B



[2.921]
Ø.12 recovered
[11.68]
Ø.46 expanded



A

A

UNLESS OTHERWISE SPECIFIED:		NAME	DATE	NU-TECH	
DIMENSIONS ARE IN INCHES		DRAWN	RB	7-2018	PART NO.:
TOLERANCES:		CHECKED			
FRACTIONAL ±		ENG APPR.			
ANGULAR: MACH ± BEND ±		MFG APPR.			
TWO PLACE DECIMAL ± .003		Q.A.			NUBB2-2XL
THREE PLACE DECIMAL ± .01		COMMENTS:			
INTERPRET GEOMETRIC TOLERANCING PER:				SIZE	DWG. NO.
MATERIAL polyolefin				A	ARTICAL
FINISH				SCALE: 1:2	REV
DO NOT SCALE DRAWING					SHEET 1 OF 1

2

1