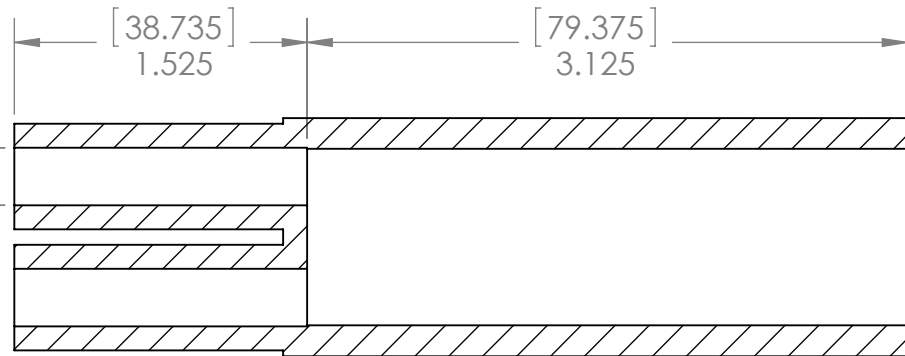


[7.620]  
 $\phi$ .300  
 RECOVERED

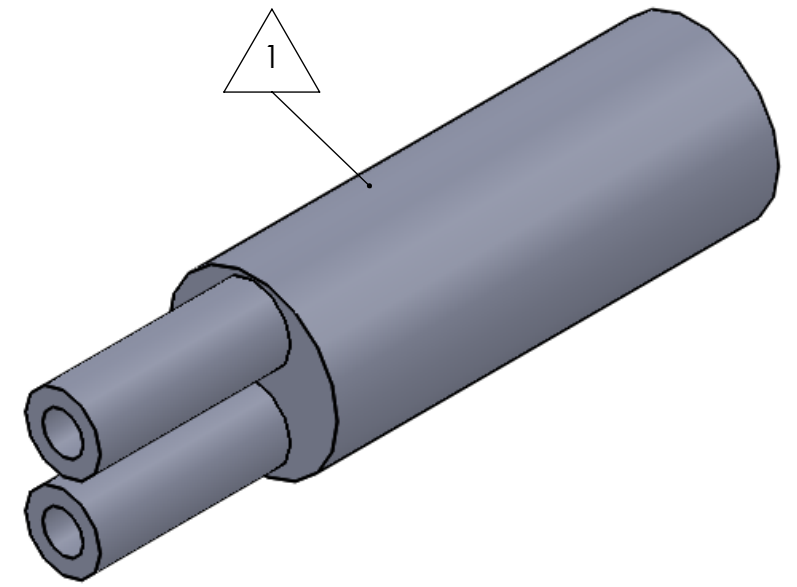
[25.400]  
 $\phi$ 1.000  
 EXPANDED



SECTION A-A

[23.368]  
 $\phi$ .920  
 RECOVERED

[43.180]  
 $\phi$ 1.700  
 EXPANDED



ITEM	PART DESCRIPTION	PART NO.	MATERIAL
$\triangle$ 1	Heat-shrinkable boot		HS 3123
$\triangle$ 5	Adhesive	A-010	Hotmelt ADH

**Nu-Tech**

UNLESS OTHERWISE SPECIFIED:

DIMENSIONS ARE IN INCHES  
 TOLERANCES:  
 FRACTIONAL  $\pm 1/32$   
 THREE PLACE DECIMAL  $\pm 0.030$

DO NOT SCALE DRAWING

DRAWN: HH

DATE: 9/29/2016

PART NO.

NUBB2-3

DWG. NO.

WEIGHT:

0.108

REV

SCALE:

1:1

SHEET 1 OF 1