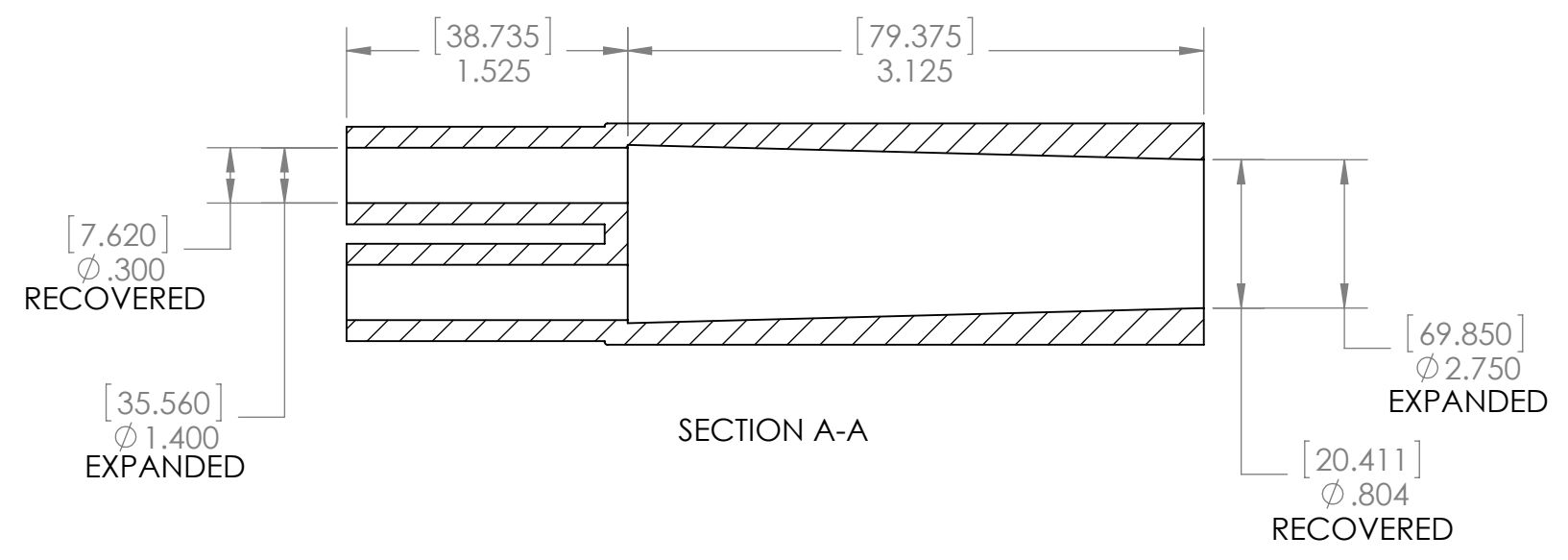
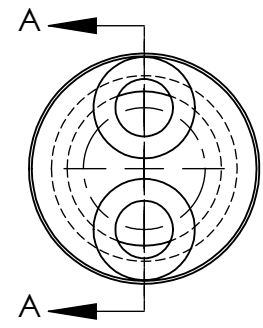
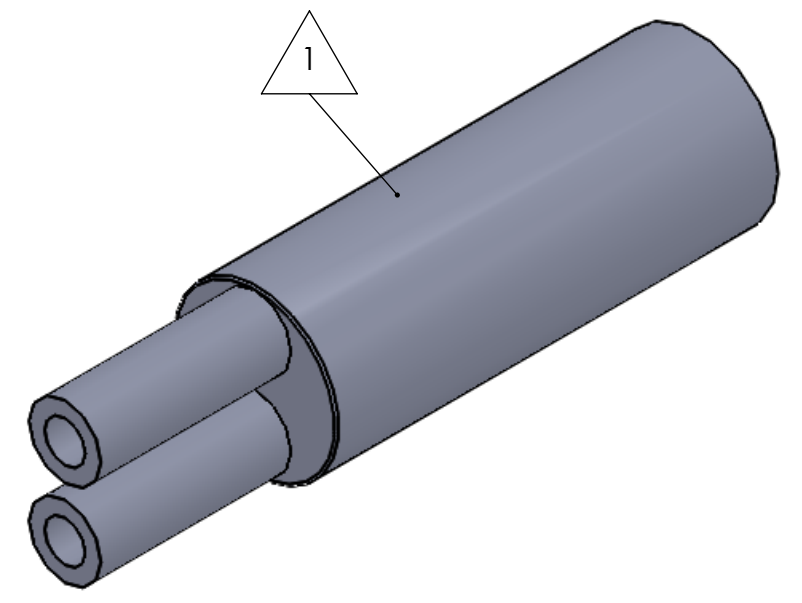




8 7 6 5 4 3 2 1

D  
C  
B  
A

D  
C  
B  
A



ITEM	PART DESCRIPTION	PART NO.	MATERIAL	<b>Nu-Tech</b>		
	Heat-shrinkable boot		HS 3123			PART NO. <b>NUBB2-5</b>
				DWG. NO.		
	Adhesive	A-010	Hotmelt ADH	WEIGHT: 0.108      REV		
				UNLESS OTHERWISE SPECIFIED: DIMENSIONS ARE IN INCHES TOLERANCES: FRACTIONAL $\pm 1/32$ THREE PLACE DECIMAL $\pm 0.030$	DO NOT SCALE DRAWING	
		DRAWN: HH	DATE: 9/29/2016	SCALE: 1:1	SHEET 1 OF 1	

8 7 6 5 4 3 2 1