

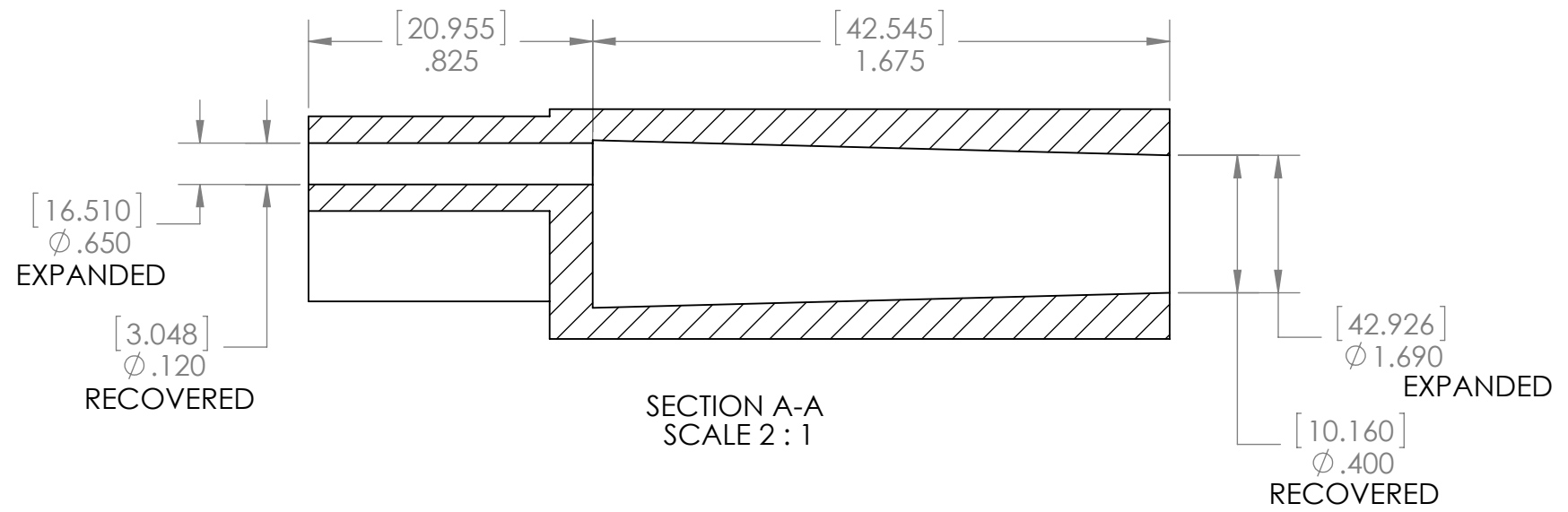
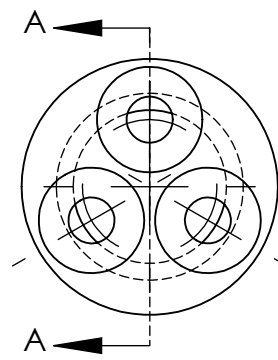
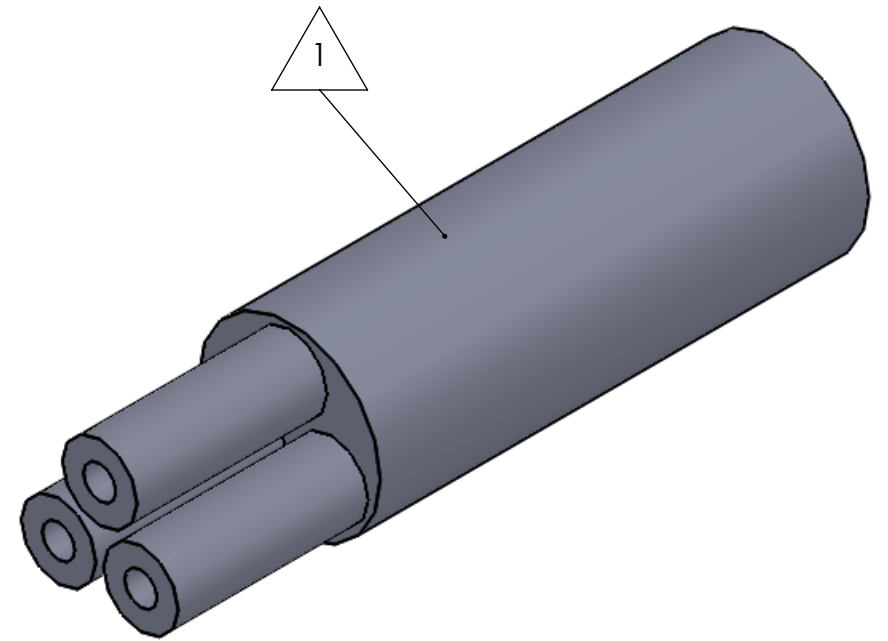
8 7 6 5 4 3 2 1

D

C

B

A



ITEM	PART DESCRIPTION	PART NO.	MATERIAL	Nu-Tech	
	Heat-shrinkable boot		HS 3123		
				DWG. NO.	
				WEIGHT: 0.028 REV	
	Adhesive	A-010	Hotmelt ADH	SCALE: 1:1 SHEET 1 OF 1	
UNLESS OTHERWISE SPECIFIED: DIMENSIONS ARE IN INCHES TOLERANCES: FRACTIONAL ± 1/32 THREE PLACE DECIMAL ± 0.030				DO NOT SCALE DRAWING	
		DRAWN: SGS	DATE: 4/4/2017		

8 7 6 5 4 3 2 1