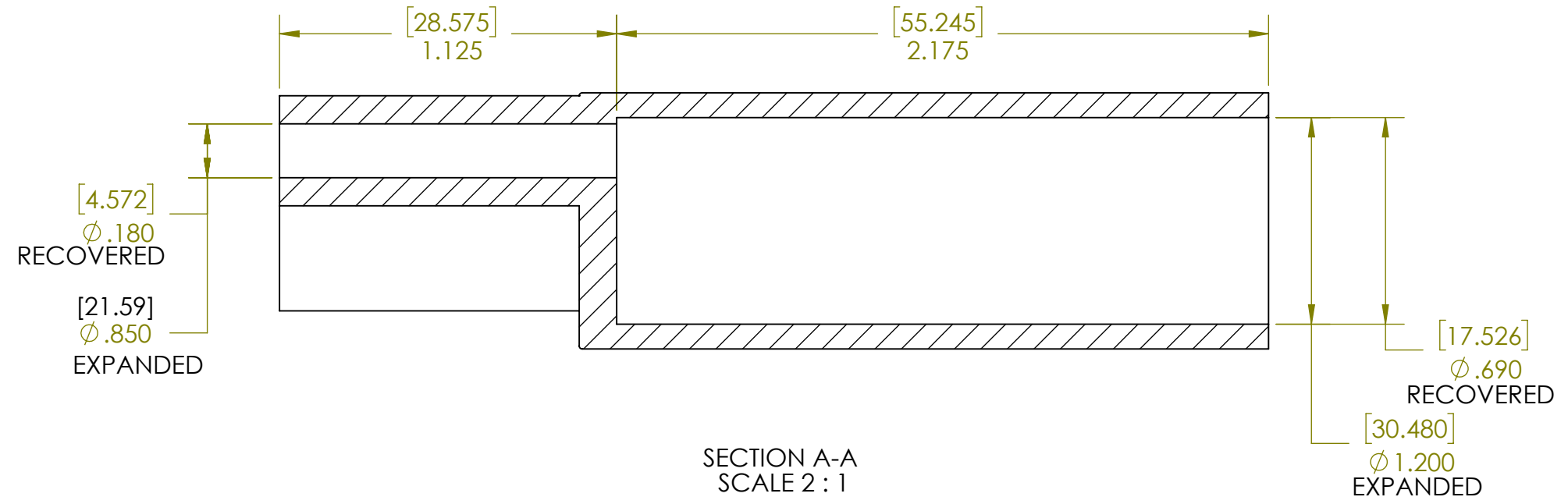
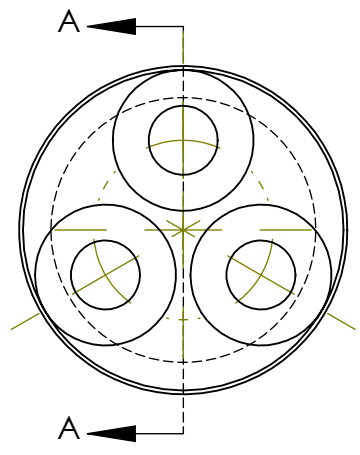
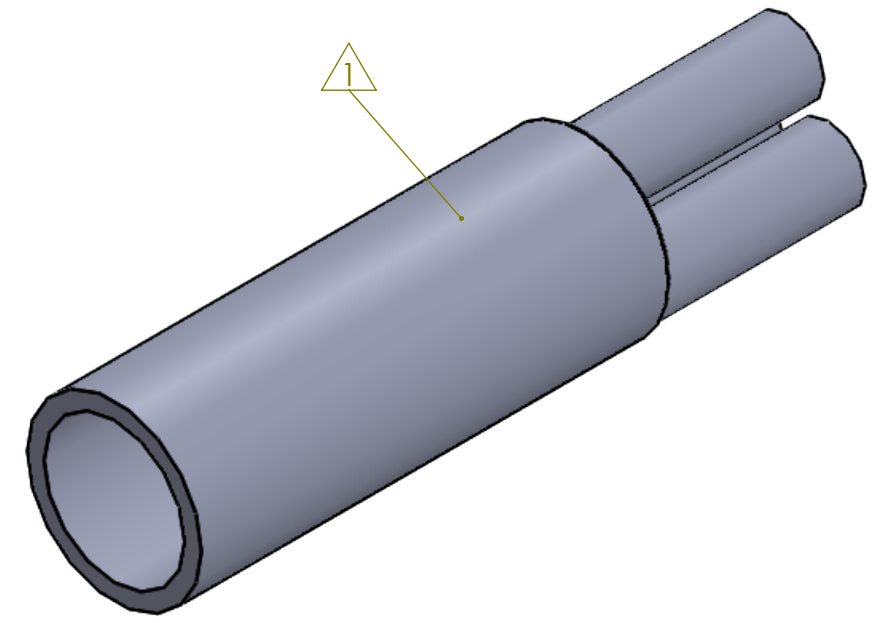


8 7 6 5 4 3 2 1

D  
C  
B  
A

D  
C  
B  
A



ITEM	PART DESCRIPTION	PART NO.	MATERIAL
①	Heat-shrinkable boot		HS 3123
⑤	Adhesive	A-010	Hotmelt ADH

**Nu-Tech**

UNLESS OTHERWISE SPECIFIED:  
 DIMENSIONS ARE IN INCHES  
 TOLERANCES:  
 FRACTIONAL ± 1/32  
 THREE PLACE DECIMAL ± 0.030

DO NOT SCALE DRAWING

PART NO. <b>NUBB3-2OE</b>	
DWG. NO.	
WEIGHT: 0.042	REV
DRAWN: HH	DATE: 5/14/2021
SCALE: 1:1	SHEET 1 OF 1

8 7 6 5 4 3 2 1