

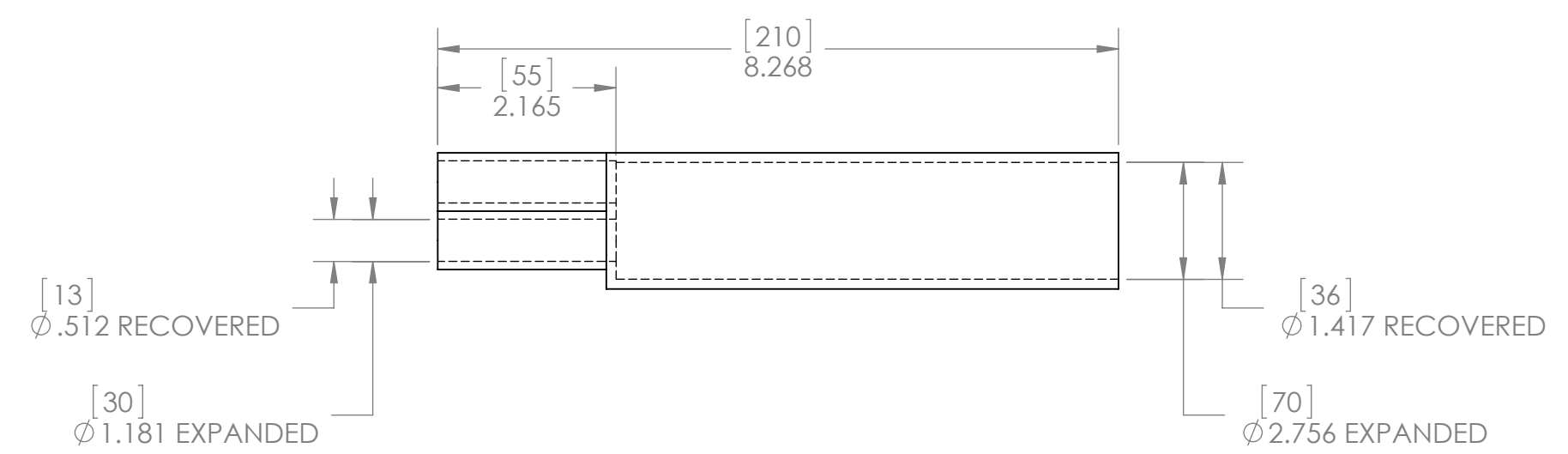
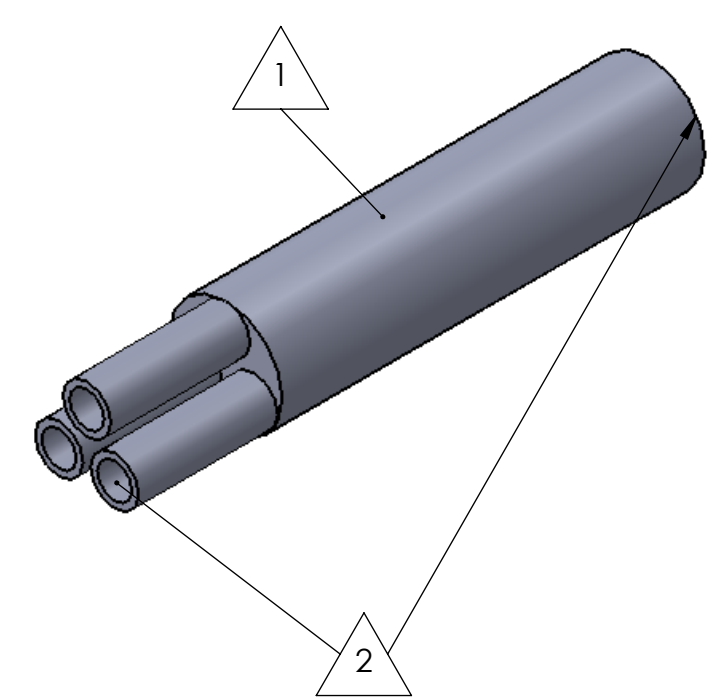
8 7 6 5 4 3 2 1

D

C

B

A



ITEM	PART DESCRIPTION	PART NO.	MATERIAL	UNLESS OTHERWISE SPECIFIED:	
[1]	Heat-shrinkable boot	NUBB3-70/36		DIMENSIONS ARE IN INCHES TOLERANCES: FRACTIONAL $\pm 1/32$ THREE PLACE DECIMAL $\pm 0.030$	
[2]	Adhesive			DO NOT SCALE DRAWING	
				DRAWN: SS	DATE: 3/15/2017
				SCALE: 1:2	REV
				SHEET 1 OF 1	

**NU-TECH**  
305 JUNIA AVE.  
WINSTON-SALEM, NC 27127  
(336)725-4700  
WWW.NU-TECH.US

PART NO.  
**NUBB3-7036**

DWG. NO.

WEIGHT:

SCALE: 1:2

REV

8 7 6 5 4 3 2 1