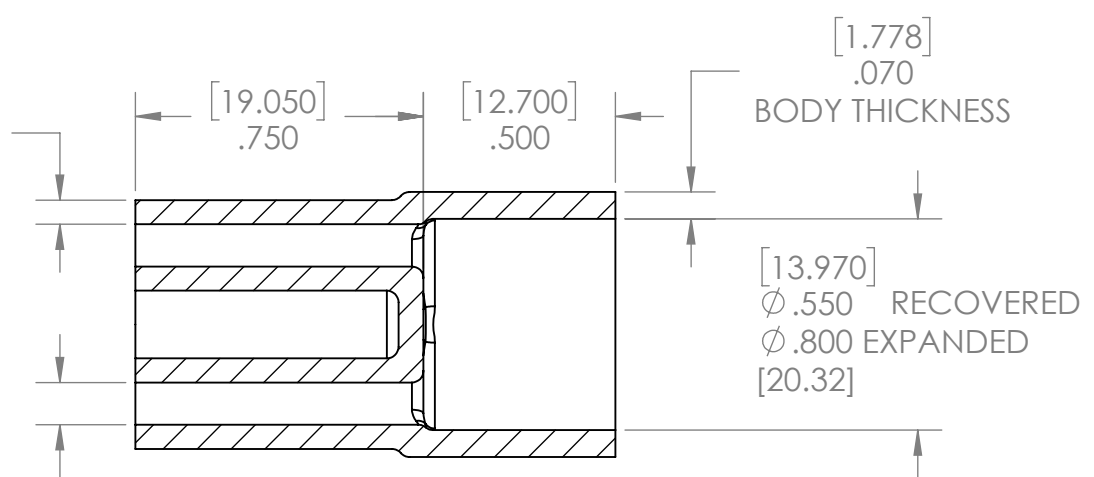
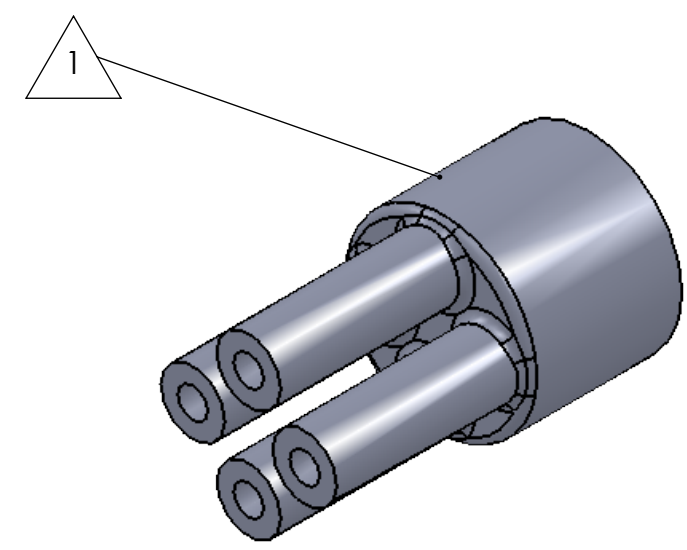


[1.600]  
.063  
LEG THICKNESS

[2.794]  
Ø.110 RECOVERED  
Ø.400 EXPANDED  
[10.16]



SECTION A-A  
SCALE 2 : 1



ITEM	PART DESCRIPTION	PART NO.	MATERIAL
①	Heat-shrinkable boot		HS 3123
⑤	Adhesive	A-010	Hotmelt ADH

**Nu-Tech**

UNLESS OTHERWISE SPECIFIED:  
DIMENSIONS ARE IN INCHES  
TOLERANCES:  
FRACTIONAL ± 1/32  
THREE PLACE DECIMAL ± 0.030

DO NOT SCALE DRAWING

PART NO. <b>NUBB4-1SP</b>	
DWG. NO.	
WEIGHT:	REV
DRAWN: SGS	DATE: 12/4/2019
SCALE: 1:1	SHEET 1 OF 1