

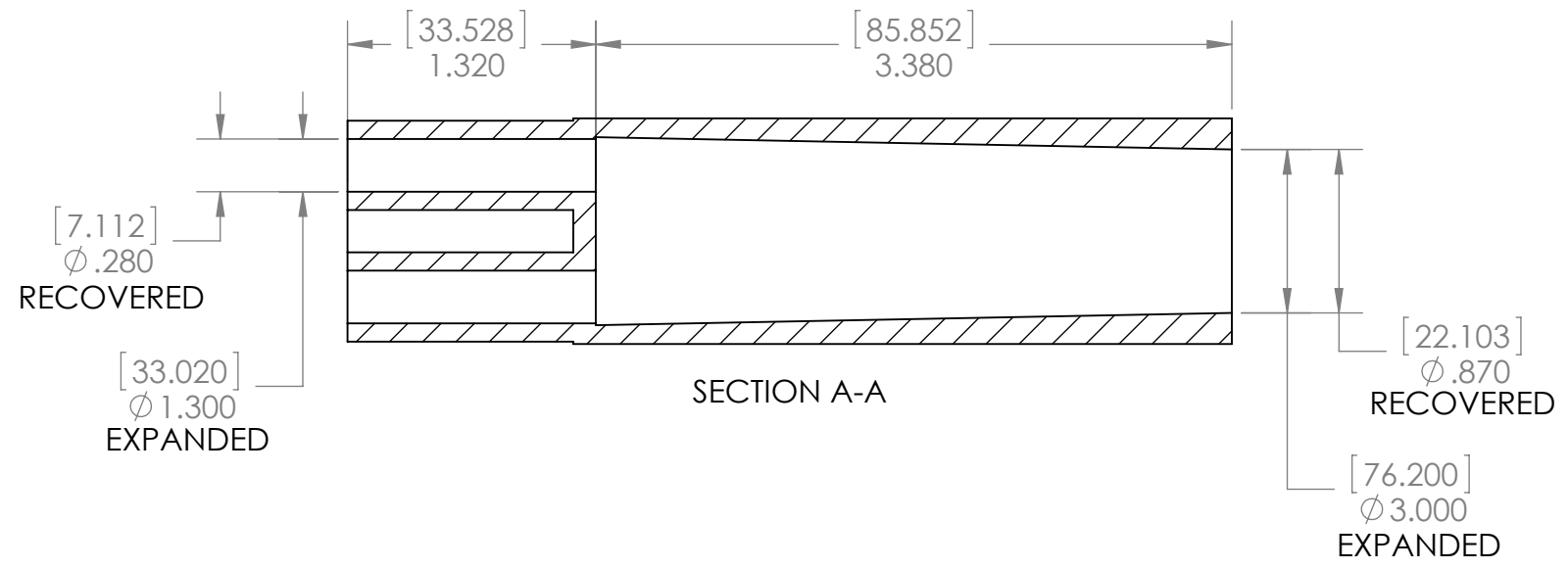
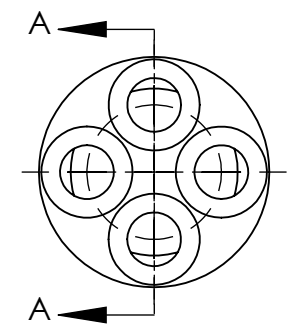
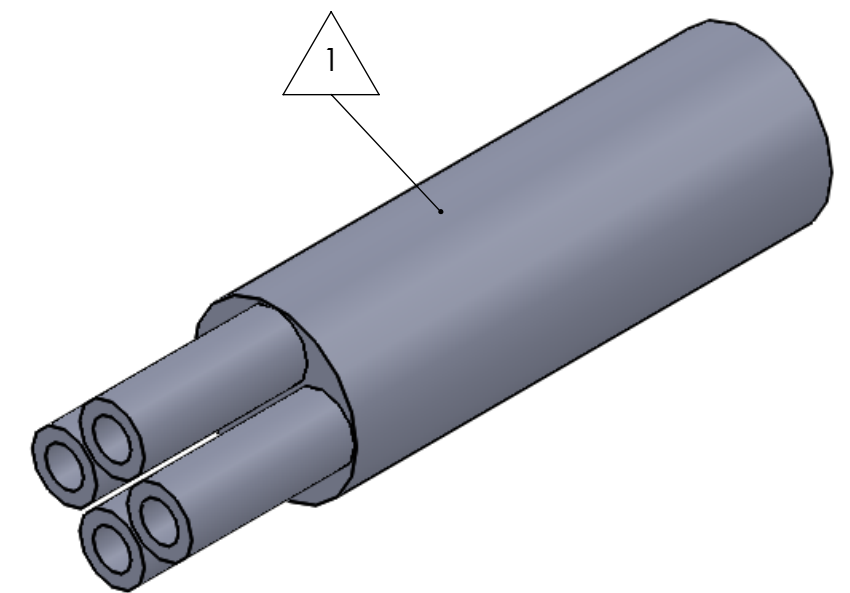
8 7 6 5 4 3 2 1

D

C

B

A



ITEM	PART DESCRIPTION	PART NO.	MATERIAL
	Heat-shrinkable boot		HS 3123
	Adhesive	A-010	Hotmelt ADH

**Nu-Tech**

UNLESS OTHERWISE SPECIFIED:  
 DIMENSIONS ARE IN INCHES  
 TOLERANCES:  
 FRACTIONAL  $\pm 1/32$   
 THREE PLACE DECIMAL  $\pm 0.030$

PART NO.		NUBB4-5	
DWG. NO.			
WEIGHT:	0.112	REV	
DRAWN: HH	DATE: 9/29/2016	SCALE: 1:1	SHEET 1 OF 1

8 7 6 5 4 3 2 1