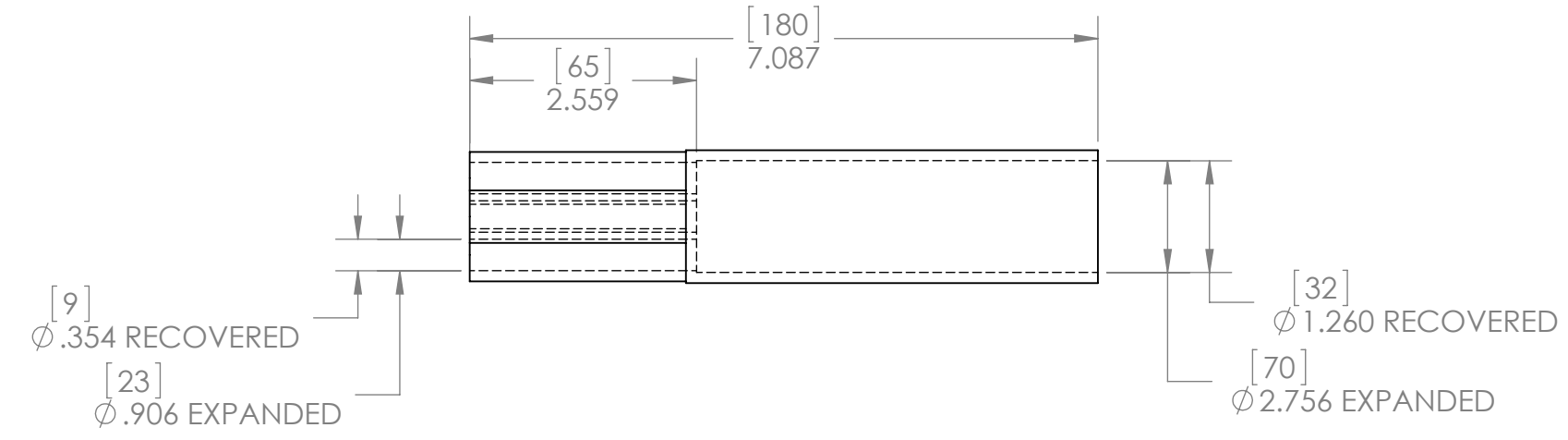
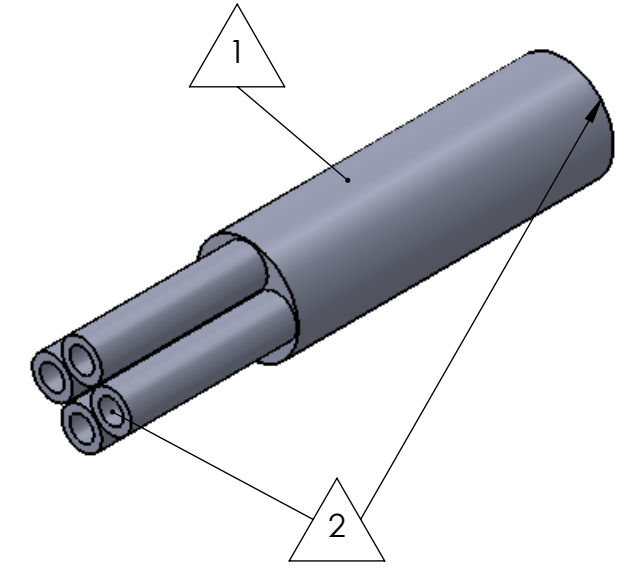


8 7 6 5 4 3 2 1

D
C
B
A



ITEM	PART DESCRIPTION	PART NO.	MATERIAL
①	Heat-shrinkable boot	NUBB4-70/32	
②	Adhesive		

NU-TECH

305 JUNIA AVE.
WINSTON-SALEM, NC 27127
(336)725-4700
WWW.NU-TECH.US

UNLESS OTHERWISE SPECIFIED:
DIMENSIONS ARE IN INCHES
TOLERANCES:
FRACTIONAL ±1/32
THREE PLACE DECIMAL ± 0.030

DO NOT SCALE DRAWING

DRAWN: SS

DATE: 3/15/2017

PART NO. NUBB4-7032	
DWG. NO.	
WEIGHT:	REV
SCALE: 1:2	SHEET 1 OF 1

8 7 6 5 4 3 2 1