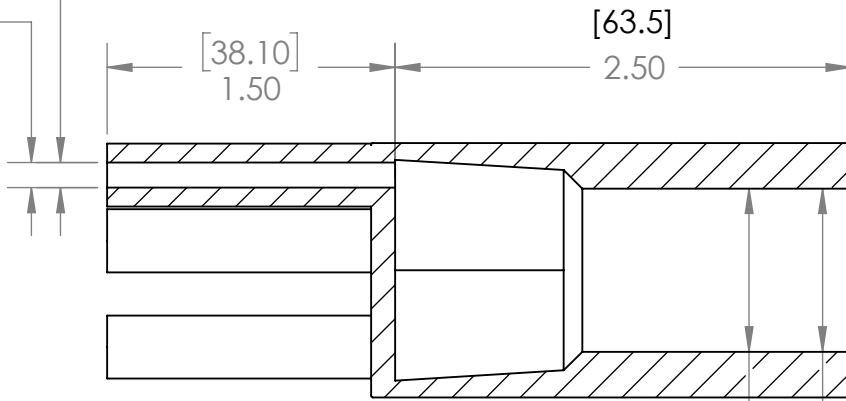
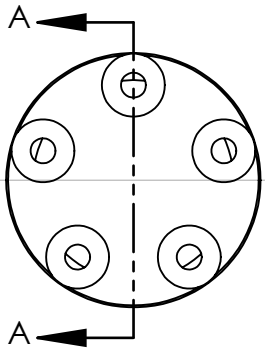


[3.30]
 ϕ .13 recovered

[10.16]
 ϕ .40 expanded



SECTION A-A
 SCALE 1 : 1

[21.59]
 ϕ .85 recovered

[35.56]
 ϕ 1.40 expanded

| | | | | | |
|--------------------------------------|--|-----------|--------------------------------|------------|-----------------------|
| UNLESS OTHERWISE SPECIFIED: | | NAME | DATE | NU-TECH | |
| DIMENSIONS ARE IN INCHES | | DRAWN | RB | 5-2021 | TITLE: NUBB5-1 |
| TOLERANCES: | | CHECKED | | | |
| FRACTIONAL \pm | | ENG APPR. | | | |
| ANGULAR: MACH \pm BEND \pm | | MFG APPR. | | | |
| TWO PLACE DECIMAL \pm .03 | | Q.A. | | | SIZE DWG. NO. REV |
| THREE PLACE DECIMAL \pm .015 | | COMMENTS: | Adhesive Lined Hot Melt ADH | | |
| INTERPRET GEOMETRIC TOLERANCING PER: | | | | SCALE: 1:2 | WEIGHT: |
| MATERIAL polyolefin | | | | | |
| FINISH | | | | | |
| DO NOT SCALE DRAWING | | | | | |