

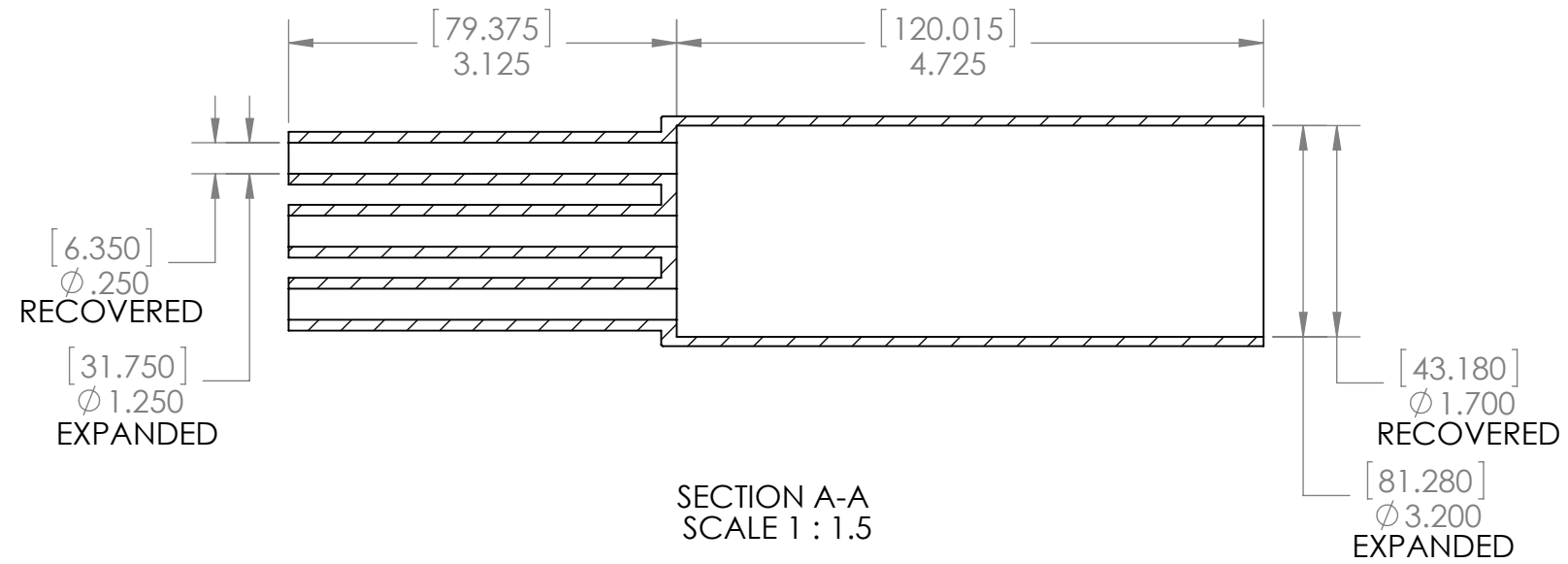
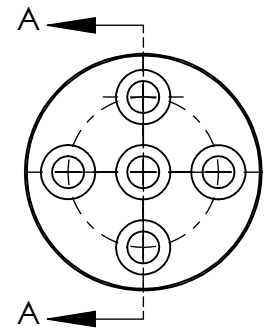
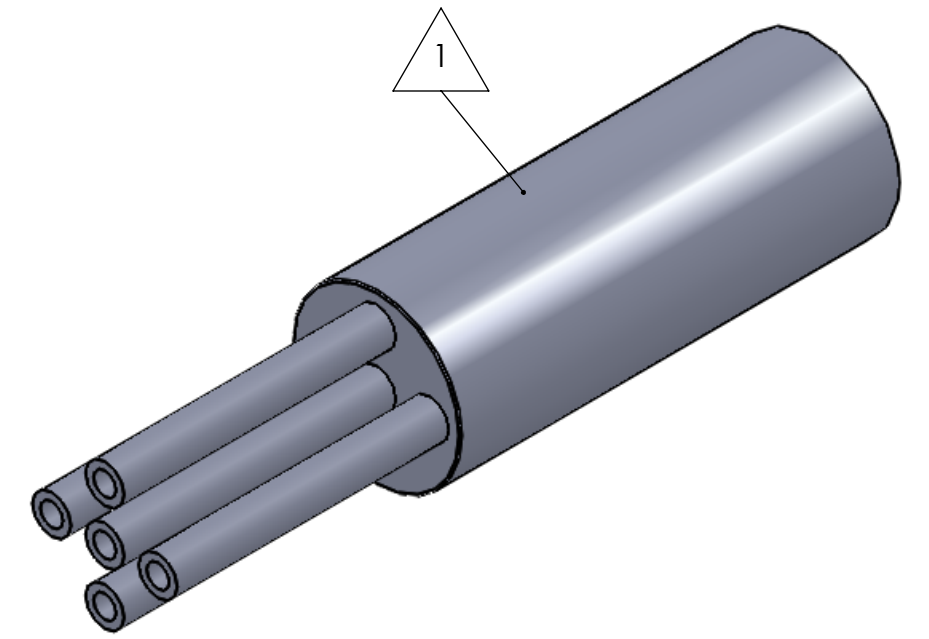
8 7 6 5 4 3 2 1

D

C

B

A



ITEM	PART DESCRIPTION	PART NO.	MATERIAL
①	Heat-shrinkable boot		HS 3123
⑤	Adhesive	A-010	Hotmelt ADH

Nu-Tech

UNLESS OTHERWISE SPECIFIED:
 DIMENSIONS ARE IN INCHES
 TOLERANCES:
 FRACTIONAL ± 1/32
 THREE PLACE DECIMAL ± 0.030

DO NOT SCALE DRAWING

PART NO. NUBB5-3LG	
DWG. NO.	
WEIGHT: 0.194	REV
DRAWN: HH	DATE: 9/29/2016
SCALE: 1:2	SHEET 1 OF 1

8 7 6 5 4 3 2 1