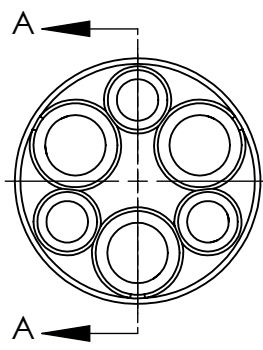
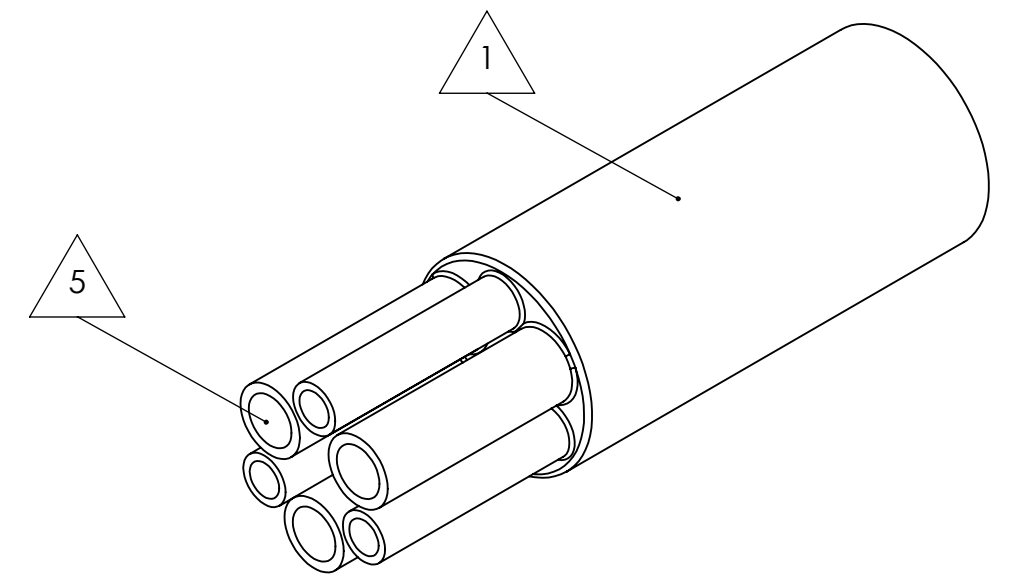


8 7 6 5 4 3 2 1

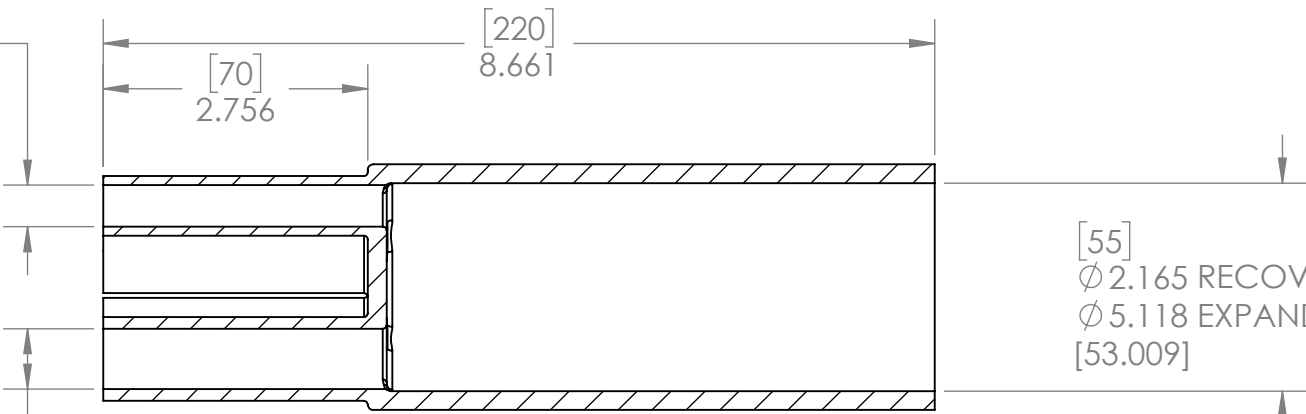
D
C
B
A

D
C
B
A



SMALL HOLE
 [12]
 Ø .472 RECOVERED (MAX)
 Ø 1.181 EXPANDED (MIN)
 [29.997]

LARGE HOLE
 [16.993]
 Ø .669 RECOVERED (MAX)
 Ø 2.087 EXPANDED (MIN)
 [53.009]



SECTION A-A

ITEM	PART DESCRIPTION	PART NO.	MATERIAL
1	Heat-shrinkable boot	NUBB6-13055	HS 3123
2	Body		Nylon
3	O-ring		Buna
4	Nut		Nylon
5	Adhesive	A-010	Hotmelt ADH
6			

NU-TECH

305 JUNIA AVE.
 WINSTON-SALEM, NC 27127
 (336)725-4700
 WWW.NU-TECH.US

UNLESS OTHERWISE SPECIFIED:
 DIMENSIONS ARE IN INCHES
 TOLERANCES:
 FRACTIONAL ± 1/32
 THREE PLACE DECIMAL ± 0.030

PART NO.
NUBB6-13055

DWG. NO.
 WEIGHT: _____ REV _____

DO NOT SCALE DRAWING

DRAWN: SS DATE: 12/4/2019 SCALE: 1:2 SHEET 1 OF 1

8 7 6 5 4 3 2 1