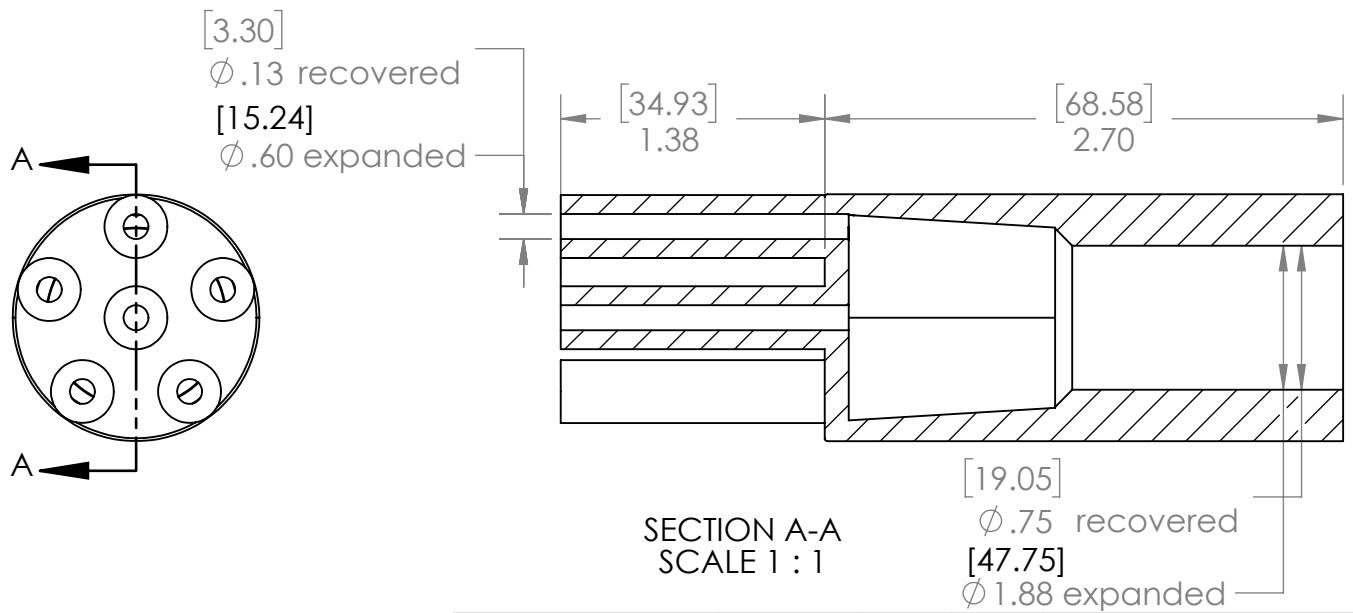
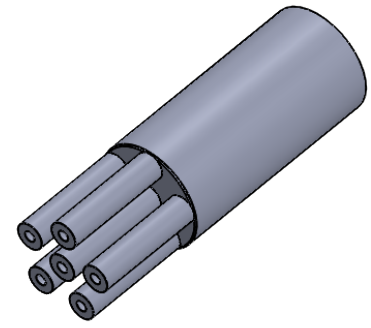


2 1

B

B



A

A

UNLESS OTHERWISE SPECIFIED:		NAME	DATE	NU-TECH	
DIMENSIONS ARE IN INCHES		DRAWN	RB	TITLE:	
TOLERANCES:		CHECKED		NUBB6-1OE	
FRACTIONAL \pm		ENG APPR.		SIZE	DWG. NO.
ANGULAR: MACH \pm BEND \pm		MFG APPR.		A	REV
TWO PLACE DECIMAL \pm .03		Q.A.		SCALE: 1:2	WEIGHT:
THREE PLACE DECIMAL \pm .015		COMMENTS:	SHEET 1 OF 1		
INTERPRET GEOMETRIC TOLERANCING PER:		Adhesive Hot melt ADH			
MATERIAL polyolefin					
FINISH					
DO NOT SCALE DRAWING					

2

1