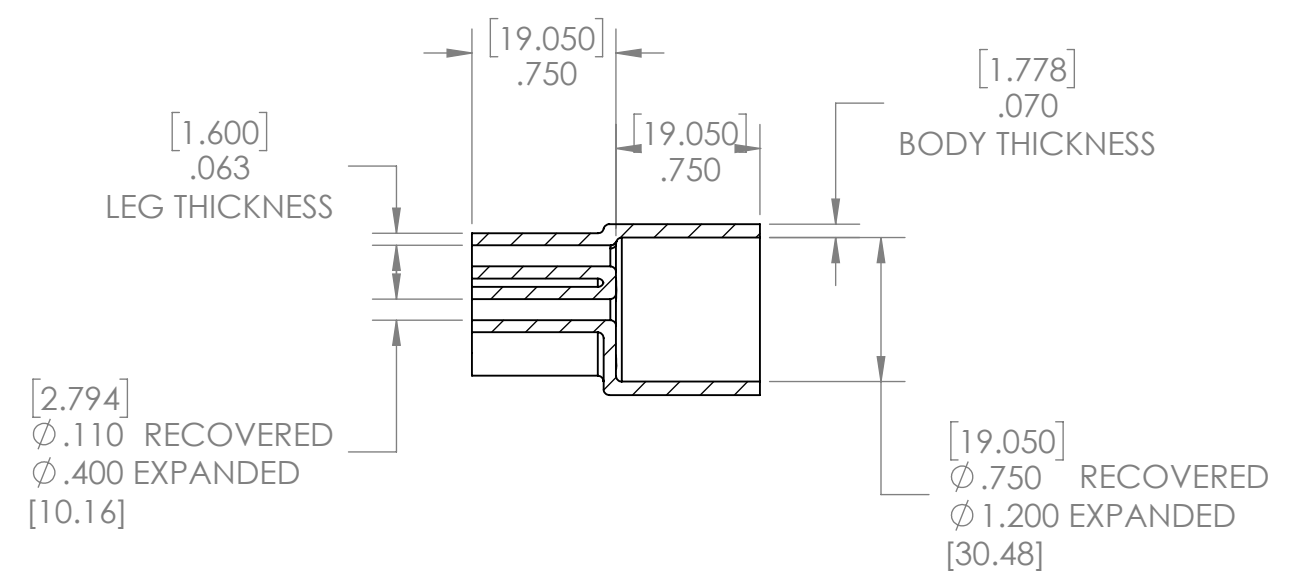
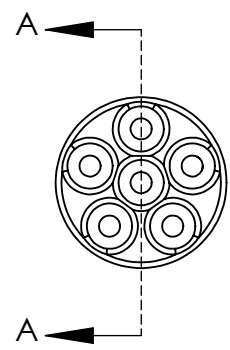
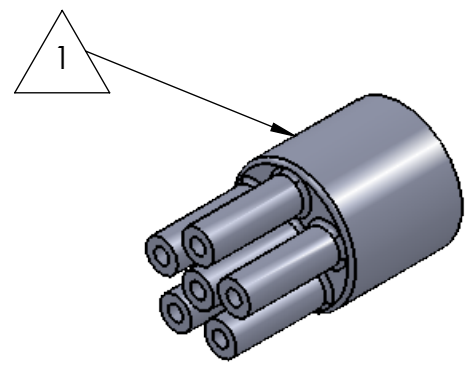


8 7 6 5 4 3 2 1

D
C
B
A

D
C
B
A



SECTION A-A

ITEM	PART DESCRIPTION	PART NO.	MATERIAL	Nu-Tech		
	Heat-shrinkable boot		HS 3123			PART NO. NUBB6-1SP
				DWG. NO.		
						WEIGHT: _____ REV _____
	Adhesive	A-010	Hotmelt ADH	SCALE: 1:1		
						SHEET 1 OF 1
				UNLESS OTHERWISE SPECIFIED: DIMENSIONS ARE IN INCHES TOLERANCES: FRACTIONAL ± 1/32 THREE PLACE DECIMAL ± 0.030	DRAWN: SGS DATE: 12/4/2019	
				DO NOT SCALE DRAWING		

8 7 6 5 4 3 2 1