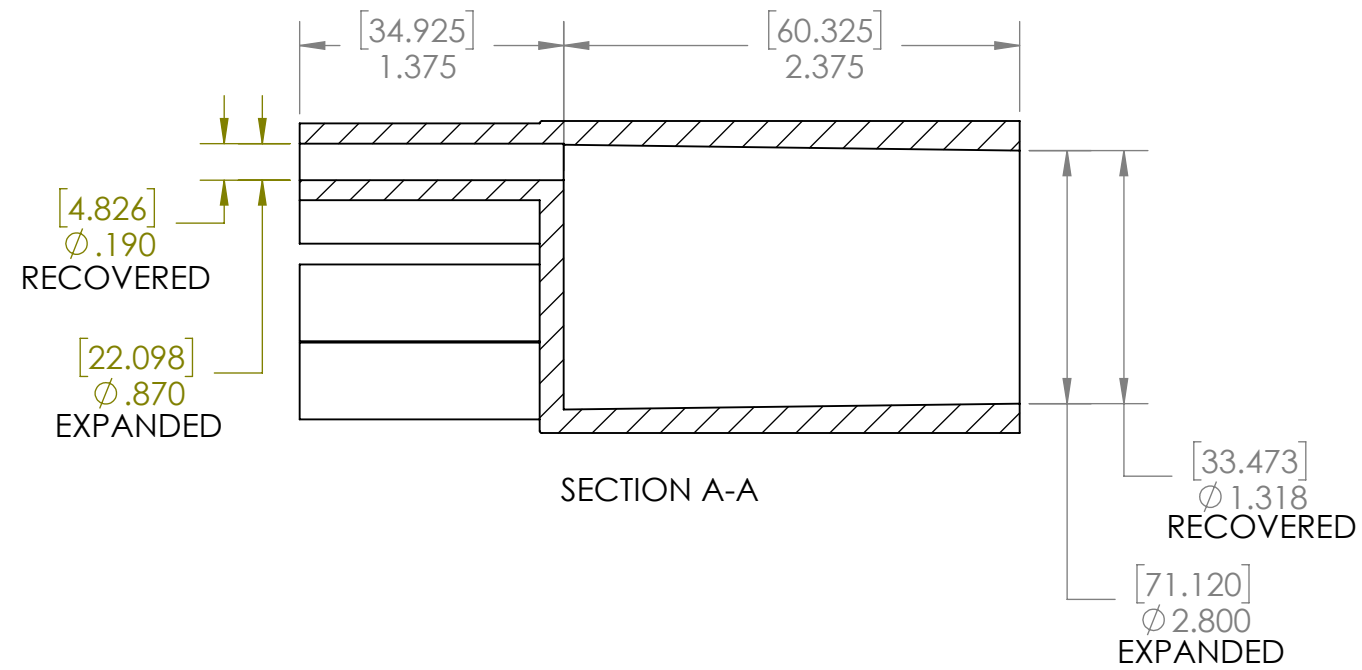
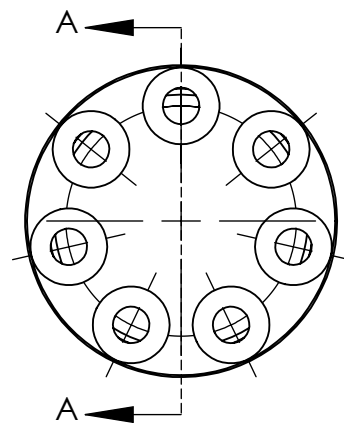
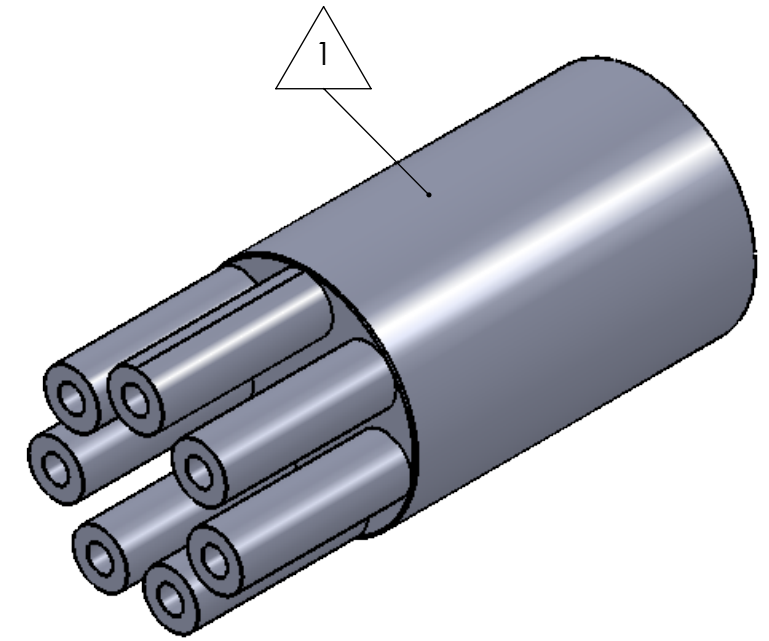


8 7 6 5 4 3 2 1



ITEM	PART DESCRIPTION	PART NO.	MATERIAL
①	Heat-shrinkable boot		HS 3123
⑤	Adhesive	A-010	Hotmelt ADH

Nu-Tech

UNLESS OTHERWISE SPECIFIED:

DIMENSIONS ARE IN INCHES
TOLERANCES:
FRACTIONAL ± 1/32
THREE PLACE DECIMAL ± 0.030

DO NOT SCALE DRAWING

DRAWN: HH

DATE: 1/30/2020

PART NO.

NUBB7-3

DWG. NO.

WEIGHT:

0.146

REV

SCALE:

1:1

SHEET 1 OF 1

8 7 6 5 4 3 2 1