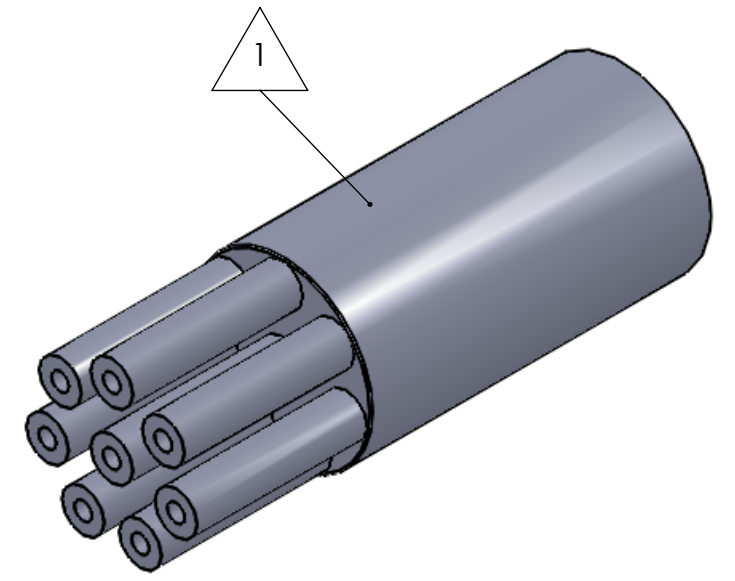
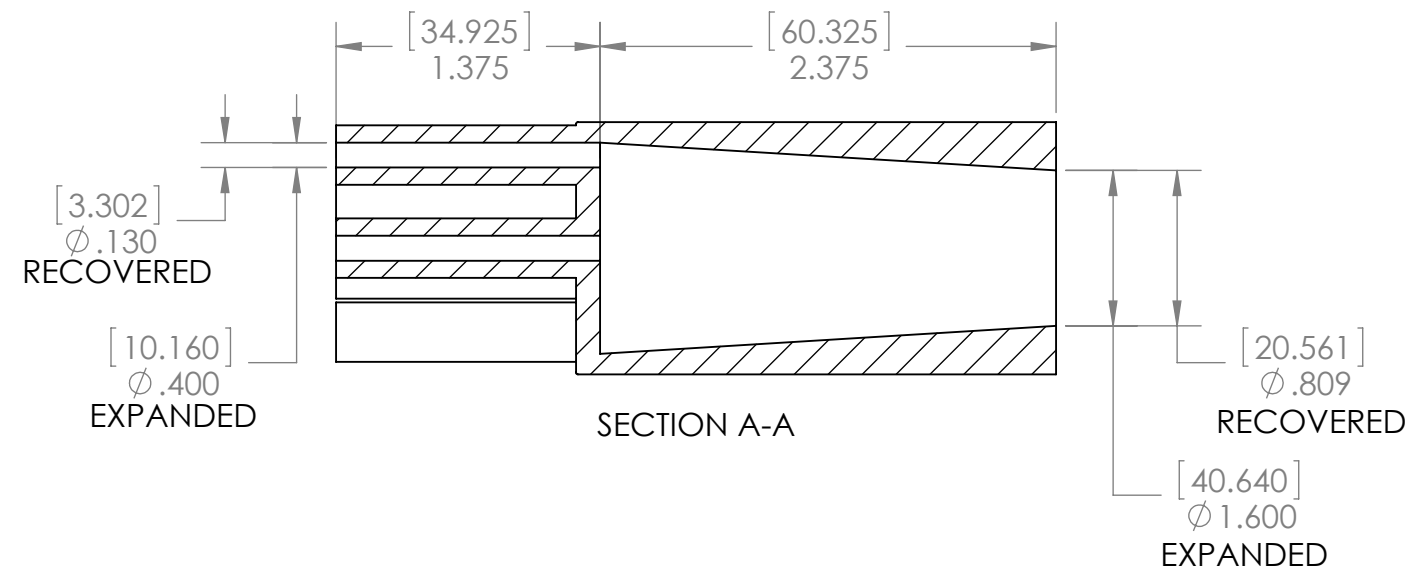
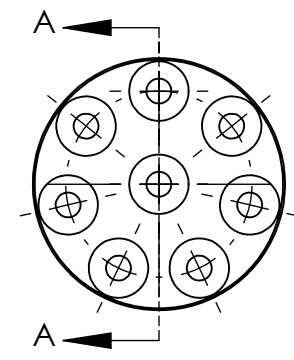


8 7 6 5 4 3 2 1

D  
C  
B  
A

D  
C  
B  
A



ITEM	PART DESCRIPTION	PART NO.	MATERIAL	<b>Nu-Tech</b>	
①	Heat-shrinkable boot		HS 3123		
				UNLESS OTHERWISE SPECIFIED: DIMENSIONS ARE IN INCHES TOLERANCES: FRACTIONAL ± 1/32 THREE PLACE DECIMAL ± 0.030	
				DWG. NO.	
⑤	Adhesive	A-010	Hotmelt ADH	DO NOT SCALE DRAWING	
				WEIGHT: 0.120	REV
				DRAWN: HH	DATE: 9/29/2016
				SCALE: 1:1	SHEET 1 OF 1

8 7 6 5 4 3 2 1