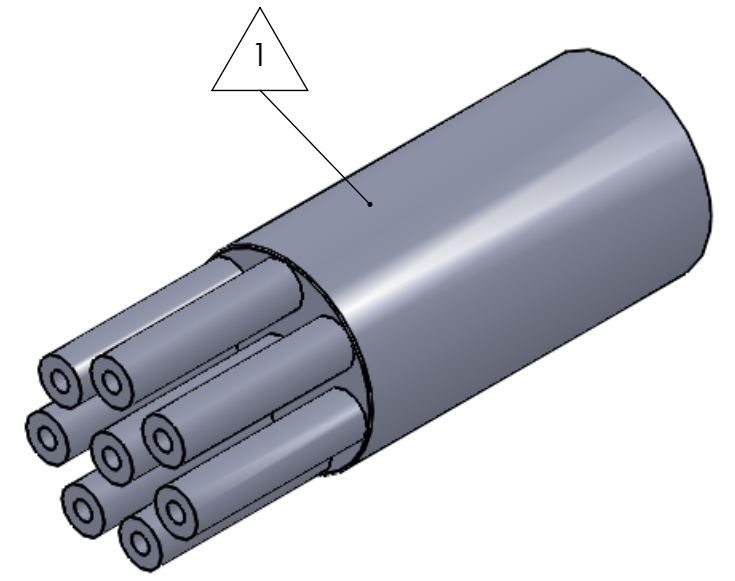
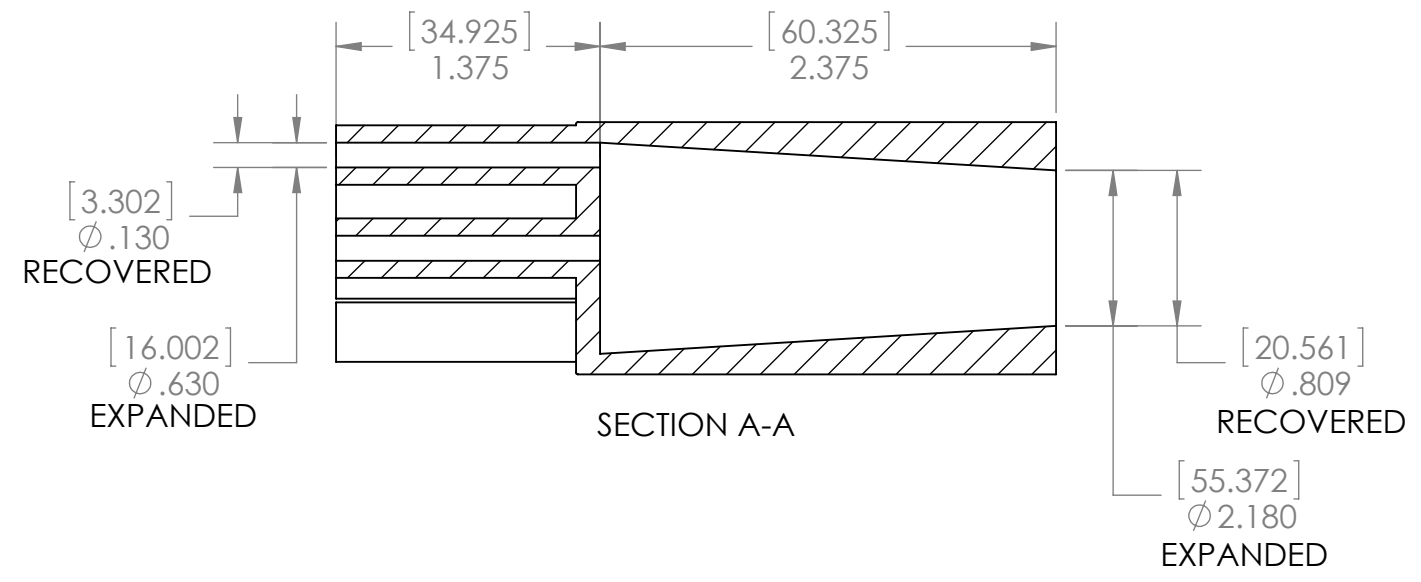
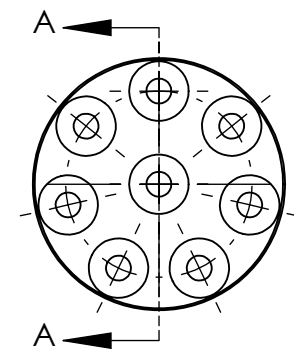


8 7 6 5 4 3 2 1

D  
C  
B  
A

D  
C  
B  
A



ITEM	PART DESCRIPTION	PART NO.	MATERIAL	<b>Nu-Tech</b>	
①	Heat-shrinkable boot		HS 3123		
				DWG. NO.	
				WEIGHT: 0.120      REV	
⑤	Adhesive	A-010	Hotmelt ADH	SCALE: 1:1      SHEET 1 OF 1	
UNLESS OTHERWISE SPECIFIED: DIMENSIONS ARE IN INCHES TOLERANCES: FRACTIONAL ±1/32 THREE PLACE DECIMAL ± 0.030				DO NOT SCALE DRAWING	
DRAWN: HH		DATE: 9/29/2016			

8 7 6 5 4 3 2 1