

B

B

A

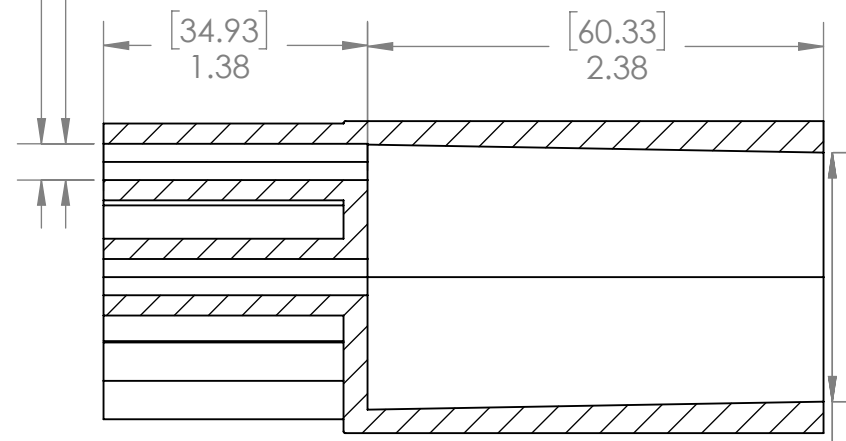
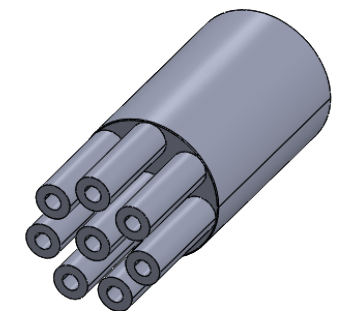
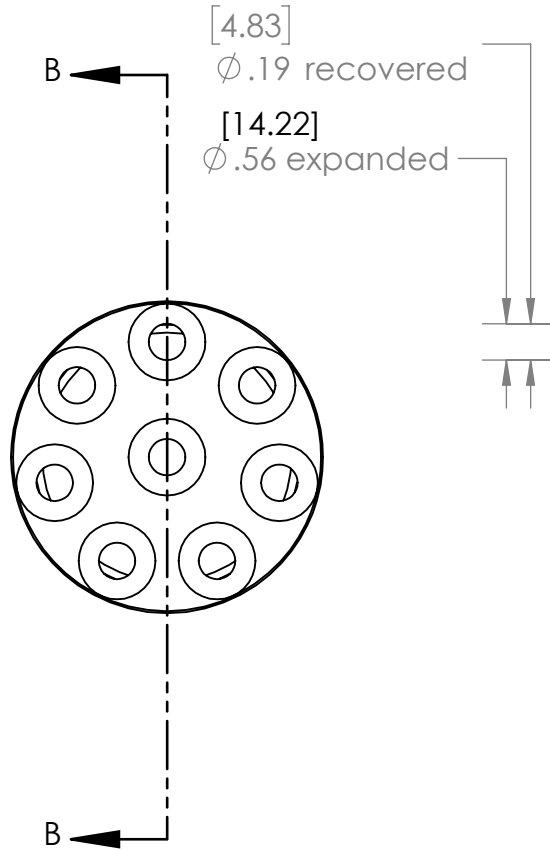
A

2

1

2

1



SECTION B-B
SCALE 1 : 1

[33.02]
Ø 1.30 recovered
[57.15]
Ø 2.25 expanded

UNLESS OTHERWISE SPECIFIED:		NAME	DATE	NU-TECH NUBB8-2		
DIMENSIONS ARE IN INCHES		DRAWN	RB			5-2021
TOLERANCES:		CHECKED				
FRACTIONAL ±		ENG APPR.				
ANGULAR: MACH ± BEND ±		MFG APPR.				
TWO PLACE DECIMAL ± .03		Q.A.				
THREE PLACE DECIMAL ± .015		COMMENTS:		SIZE	DWG. NO.	REV
INTERPRET GEOMETRIC TOLERANCING PER:		Adhesive Hot Melt ADH		A		
MATERIAL Polyolefin					SCALE: 1:2	WEIGHT:
FINISH						
DO NOT SCALE DRAWING						