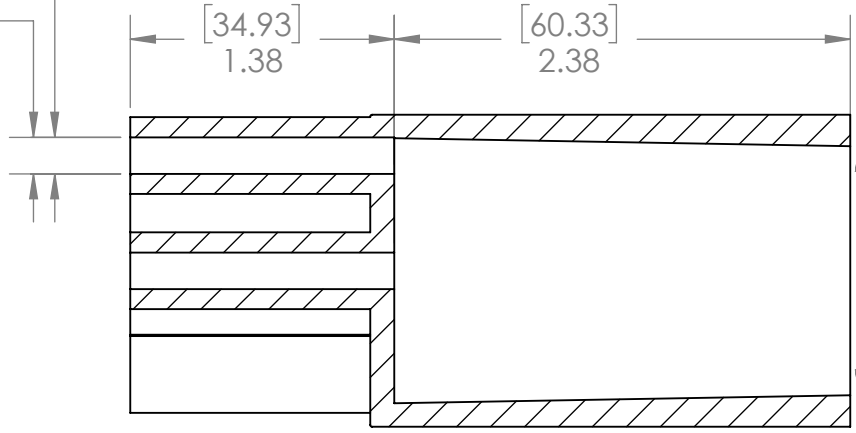
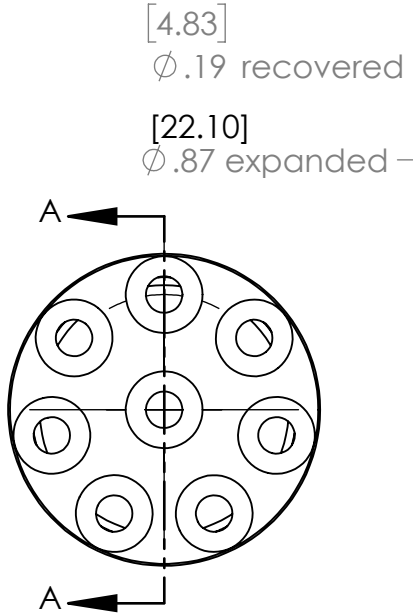
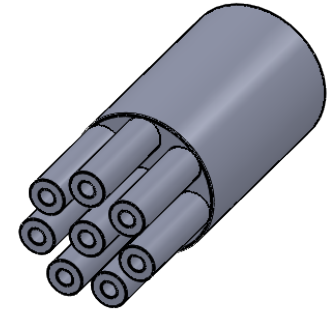


2 1

B

B



SECTION A-A
 SCALE 1 : 1

[32.95]
 ϕ 1.30 recovered
 [63.5]
 ϕ 2.50 expanded

A

A

UNLESS OTHERWISE SPECIFIED:		NAME	DATE	NU-TECH TITLE: NUBB8-3					
DIMENSIONS ARE IN INCHES		DRAWN	RB			5-2021			
TOLERANCES:		CHECKED							
FRACTIONAL \pm		ENG APPR.							
ANGULAR: MACH \pm BEND \pm		MFG APPR.							
TWO PLACE DECIMAL \pm .03		Q.A.							
THREE PLACE DECIMAL \pm .015		COMMENTS:			SIZE	DWG. NO.	REV		
INTERPRET GEOMETRIC TOLERANCING PER:		Adhesive Hot Melt ADH			A				
MATERIAL					Polyolefin		SCALE: 1:2	WEIGHT:	SHEET 1 OF 1
FINISH									
DO NOT SCALE DRAWING									

2

1