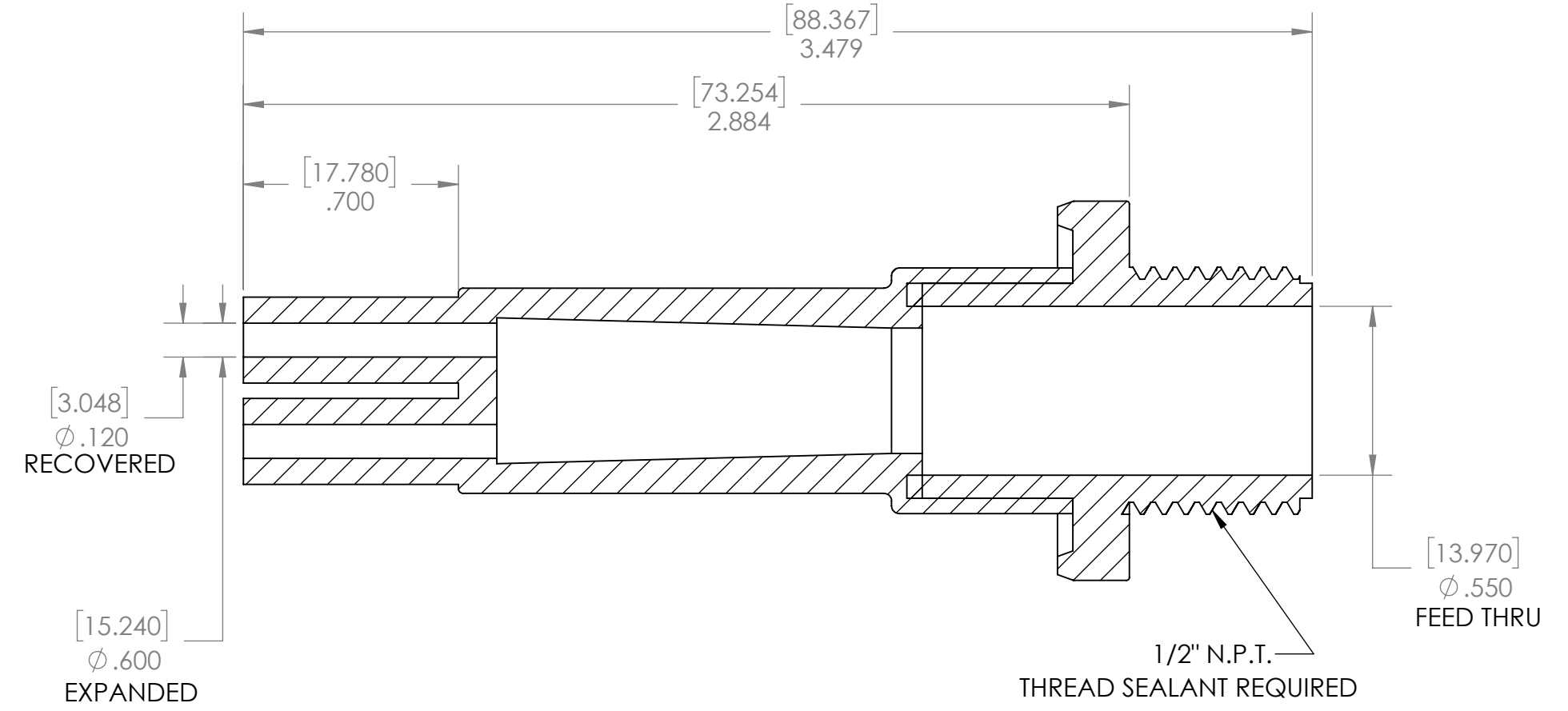
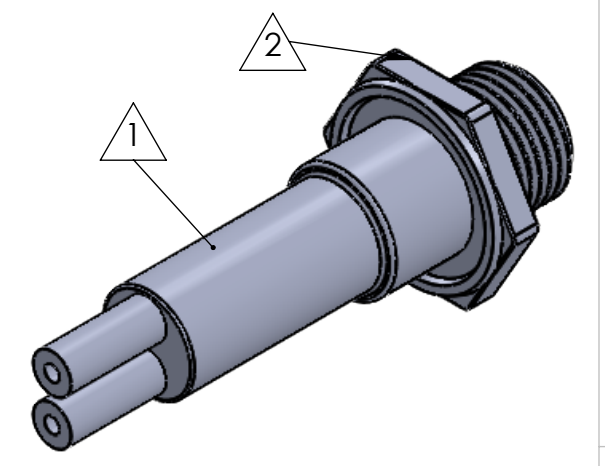
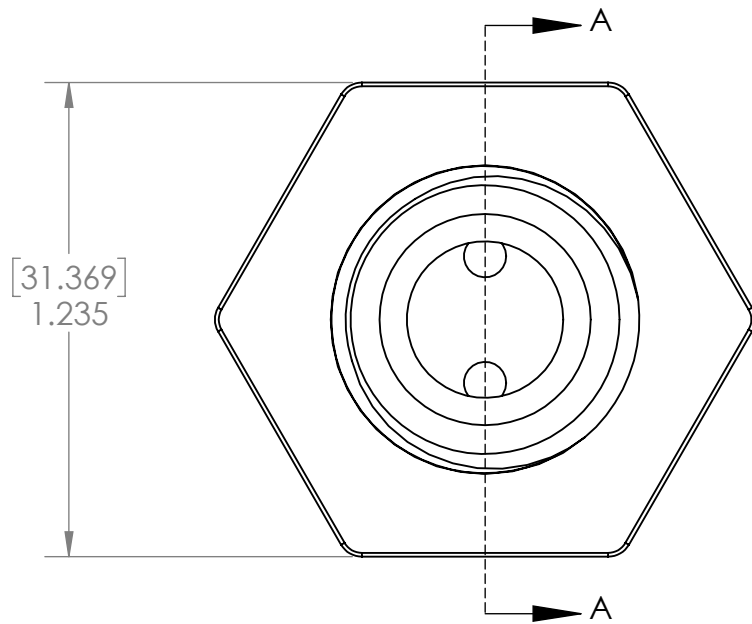


8 7 6 5 4 3 2 1

D  
C  
B  
A



SECTION A-A  
SCALE 2 : 1

ITEM	PART DESCRIPTION	PART NO.	MATERIAL
①	Heat-shrinkable boot	NUBB2-1	HS 3123
②	Body	P-1B	Nylon
③			
④			
⑤	Adhesive	A-010	Hotmelt ADH
⑥			

**Nu-Tech**

UNLESS OTHERWISE SPECIFIED:  
DIMENSIONS ARE IN INCHES  
TOLERANCES:  
FRACTIONAL ±1/32  
THREE PLACE DECIMAL ± 0.030

PART NO.  
**1-NUP-2AOE**

DWG. NO. PRP:"SW-Title"

WEIGHT: SW-Mass@par19.SLDPRT REV

DO NOT SCALE DRAWING

By: Keven

DATE: 6/1/2021

SCALE: 1:1

SHEET 1 OF 1

8 7 6 5 4 3 2 1