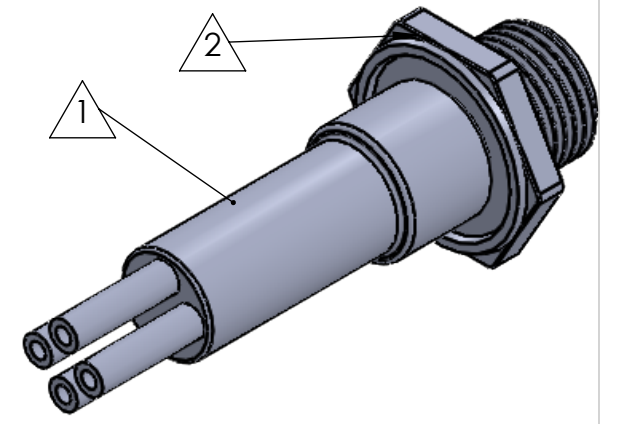
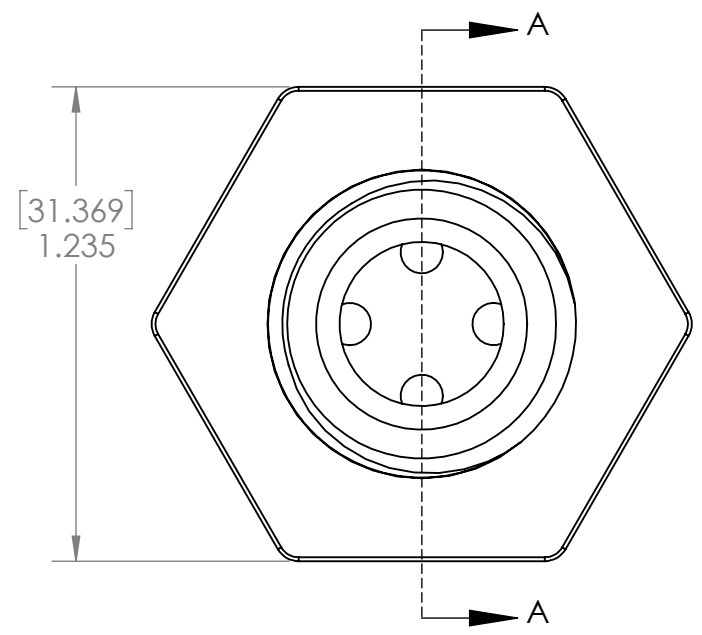


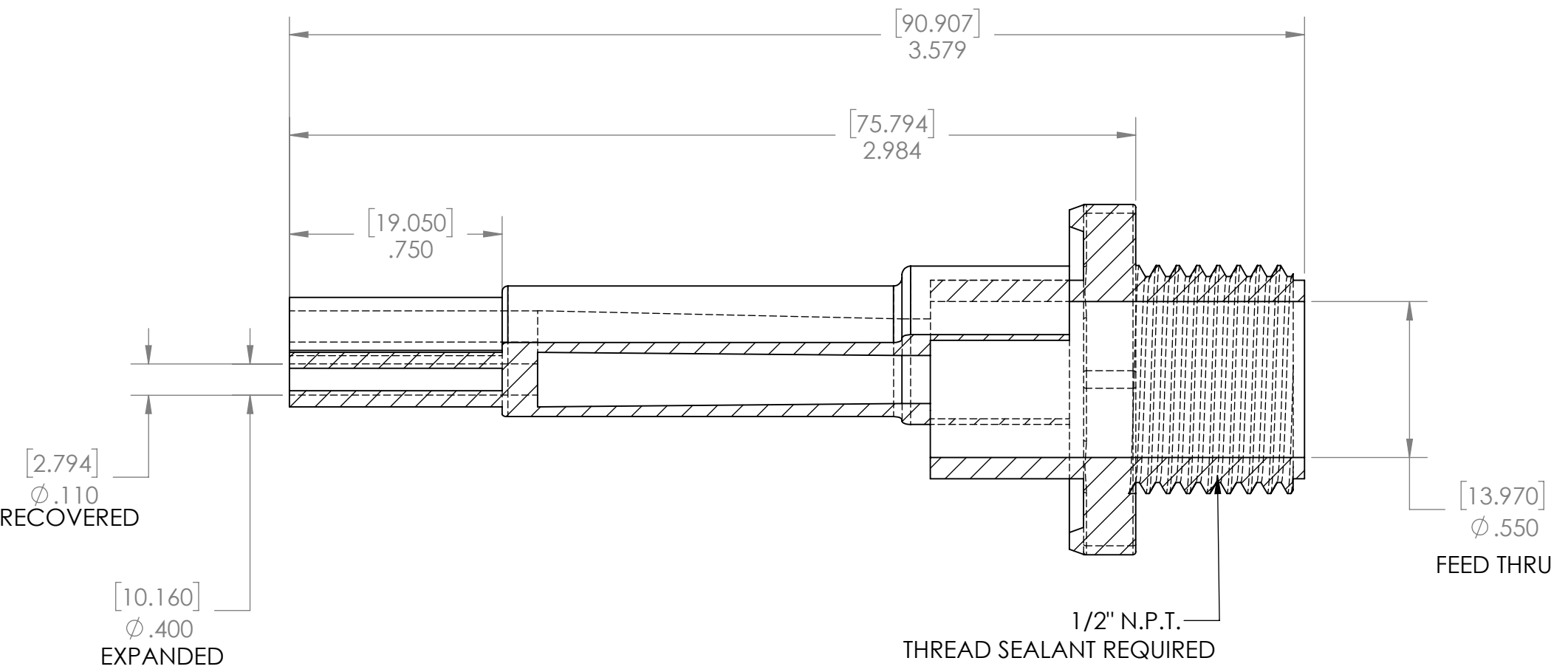
8 7 6 5 4 3 2 1



D  
C  
B  
A



SECTION A-A  
SCALE 2:1



ITEM	PART DESCRIPTION	PART NO.	MATERIAL
①	Heat-shrinkable boot	NUBB4-1	HS 3128
②	Body	P-1B	Nylon
③			
④			
⑤	Adhesive	A-010	Hotmelt ADH
⑥			

# NU-TECH

UNLESS OTHERWISE SPECIFIED:  
DIMENSIONS ARE IN INCHES  
TOLERANCES:  
FRACTIONAL ±1/32  
THREE PLACE DECIMAL ± 0.030

DO NOT SCALE DRAWING

By: Keven

DATE: 6/3/2021

PART NO.  
**1-NUP-4A**

DWG. NO. PRP:"SW-Title"

WEIGHT: SW-Mass@par19.SLDPRT REV

SCALE: 1:1

SHEET 1 OF 1

8 7 6 5 4 3 2 1