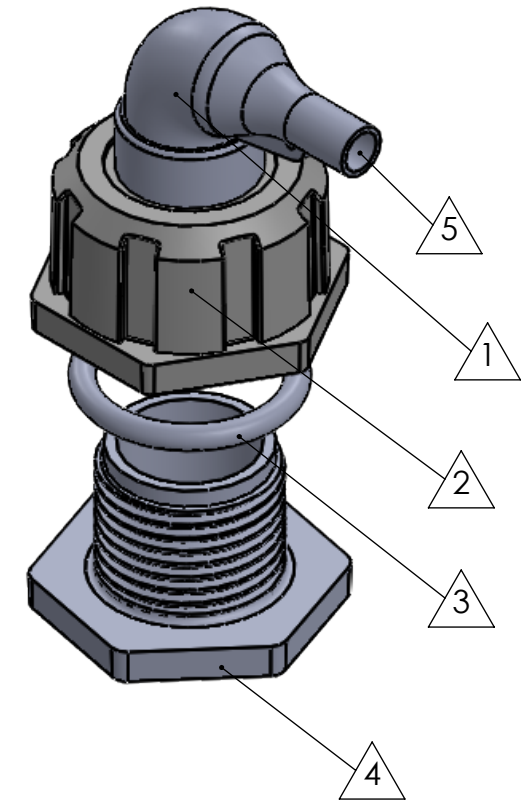


SECTION A-A
SCALE 1 : 1



ITEM	PART DESCRIPTION	PART NO.	MATERIAL
①	Heat-shrinkable boot	NU-OR	HS 3123
②	Body	NUS-1B	Nylon
③	O-ring	NUS-1OR	Buna
④	Nut	NUS-1N	Nylon
⑤	Adhesive	A-010	Hotmelt ADH

Nu-Tech

UNLESS OTHERWISE SPECIFIED:
DIMENSIONS ARE IN INCHES
TOLERANCES:
FRACTIONAL ±1/32
THREE PLACE DECIMAL ± 0.030

DO NOT SCALE DRAWING

DRAWN: HH

DATE: 7/9/2021

PART NO.

1-NUS-OR

DWG. NO.

PRP:"SW-Title"

WEIGHT:

SW-Mass@par19.SLDPRT

REV

SCALE:

1:2

SHEET 1 OF 1