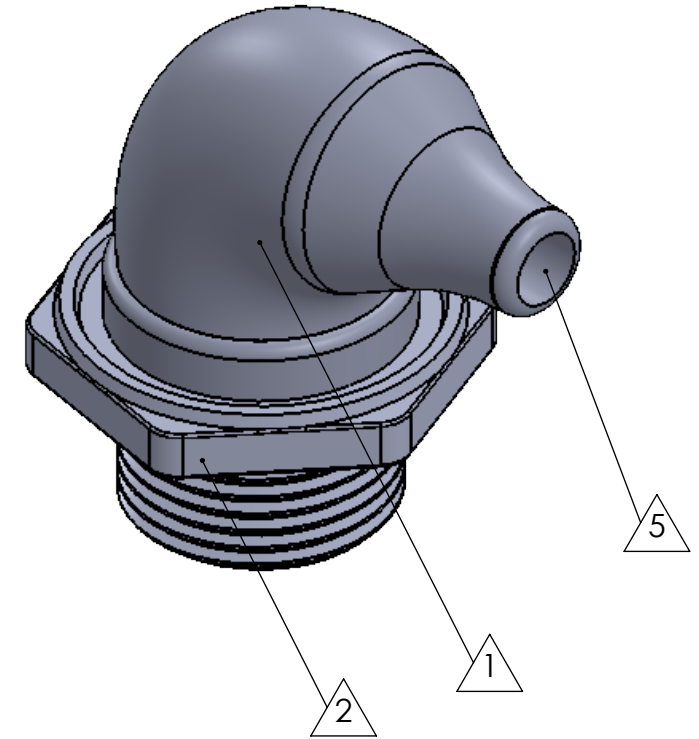


SECTION A-A  
SCALE 1.5 : 1



ITEM	PART DESCRIPTION	PART NO.	MATERIAL
①	Heat-shrinkable boot	NU-1R	HS 3123
②	Body	NUP-2	Nylon
⑤	Adhesive	A-010	Hotmelt ADH

**Nu-Tech**

UNLESS OTHERWISE SPECIFIED:  
DIMENSIONS ARE IN INCHES  
TOLERANCES:  
FRACTIONAL ±1/32  
THREE PLACE DECIMAL ± 0.030

DO NOT SCALE DRAWING

DRAWN: HH

DATE: 12/2/2019

PART NO.  
**2-NUP-1R**

DWG. NO. PRP:"SW-Title"

WEIGHT: SW-Mass@par19.SLDPRT

REV

SCALE: 1:1

SHEET 1 OF 1