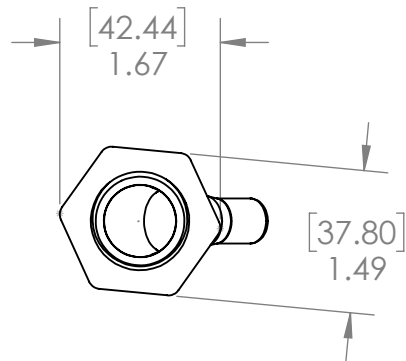
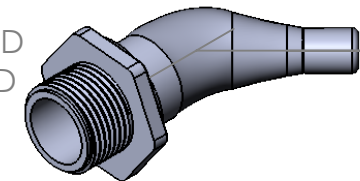
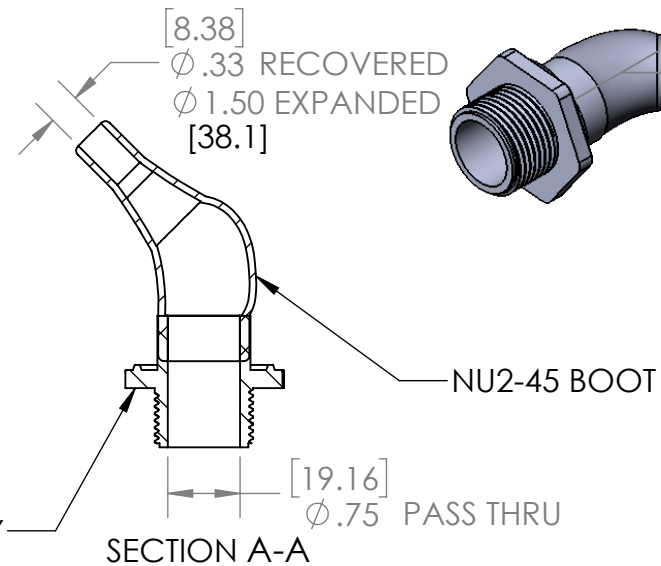
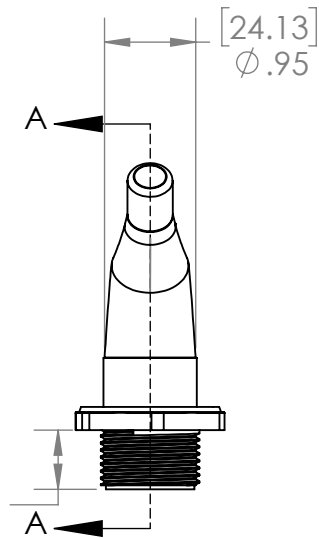
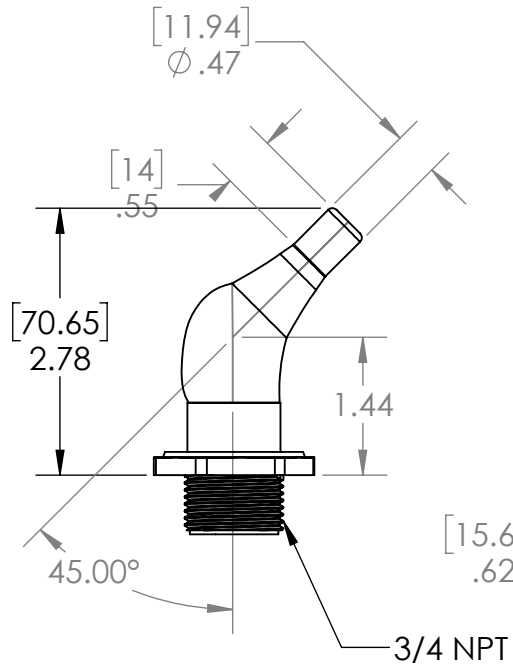


2

1

B

B



A

A

UNLESS OTHERWISE SPECIFIED:		NAME	DATE	NU-TECH	
DIMENSIONS ARE IN INCHES		DRAWN		TITLE: 2-NUP-2-45	
TOLERANCES:		CHECKED			
FRACTIONAL \pm		ENG APPR.			
ANGULAR: MACH \pm BEND \pm		MFG APPR.			
TWO PLACE DECIMAL \pm		Q.A.			
THREE PLACE DECIMAL \pm		COMMENTS:		SIZE	DWG. NO.
INTERPRET GEOMETRIC TOLERANCING PER:				A	
MATERIAL				SCALE: 1:2	SHEET 1 OF 1
FINISH					
DO NOT SCALE DRAWING					

2

1