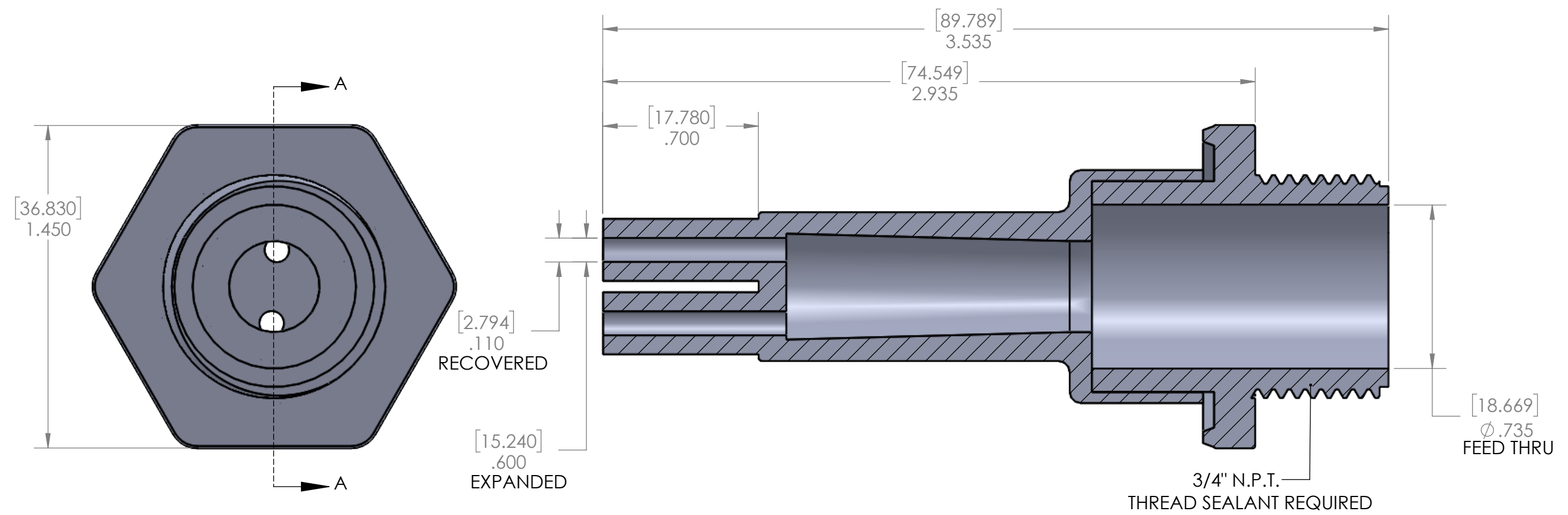
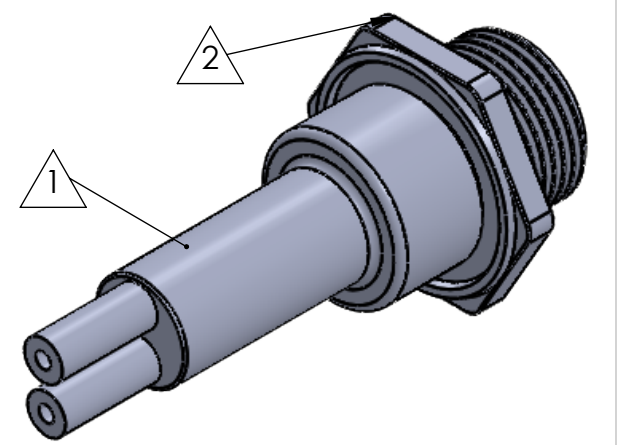


8 7 6 5 4 3 2 1



SECTION A-A
SCALE 2 : 1

ITEM	PART DESCRIPTION	PART NO.	MATERIAL
①	Heat-shrinkable boot	NUBB2-1	HS 3123
②	Body	P-2B	Nylon
③			
④			
⑤	Adhesive	A-010	Hotmelt ADH
⑥			

Nu-Tech

UNLESS OTHERWISE SPECIFIED:
DIMENSIONS ARE IN INCHES
TOLERANCES:
FRACTIONAL ±1/32
THREE PLACE DECIMAL ± 0.030
DO NOT SCALE DRAWING
By: Keven

PART NO.	2-NUP-2AOE	
DWG. NO.	PRP:"SW-Title"	
WEIGHT:	SW-Mass@par19.SLDPRT	REV
DATE:	6/1/2021	SCALE: 1:1
		SHEET 1 OF 1

8 7 6 5 4 3 2 1