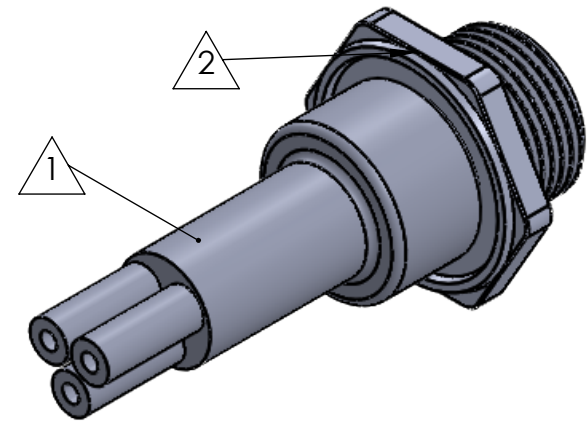
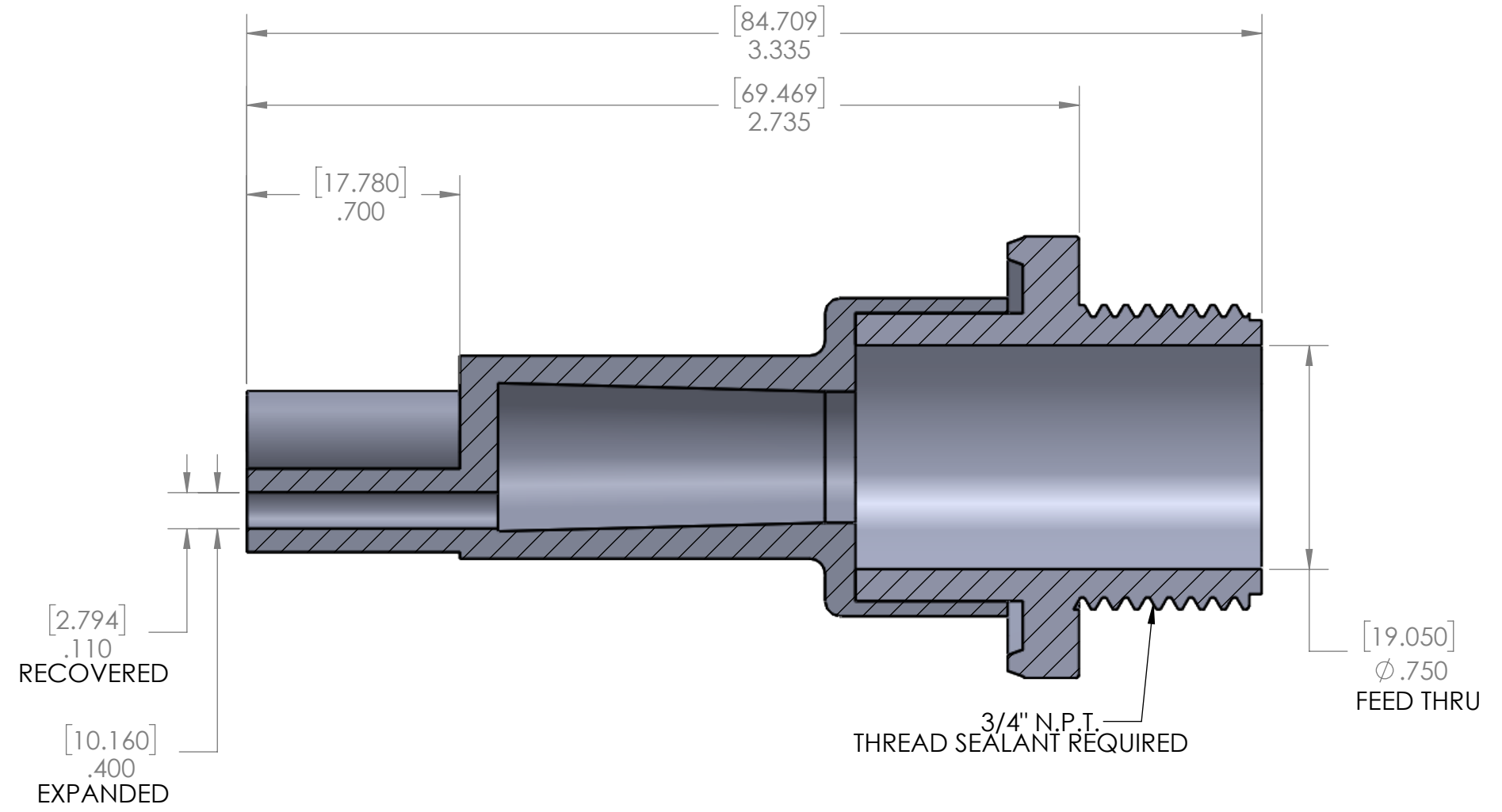
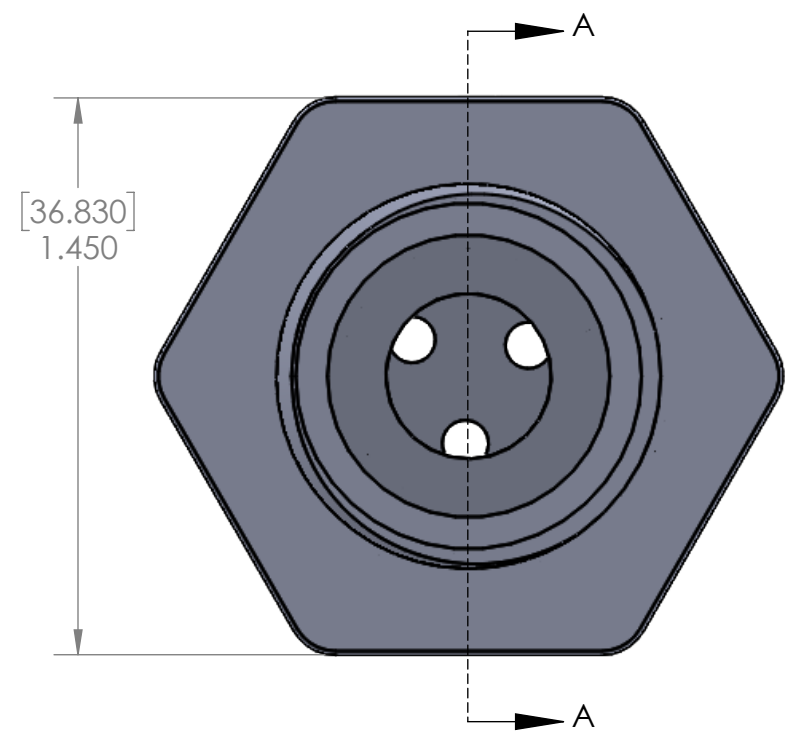


8 7 6 5 4 3 2 1



D  
C  
B  
A



SECTION A-A  
SCALE 2:1

ITEM	PART DESCRIPTION	PART NO.	MATERIAL
1	Heat-shrinkable boot	NUBB3-1	HS 3123
2	Body	P-2B	Nylon
3			
4			
5	Adhesive	A-010	Hotmelt ADH
6			

**Nu -Tech**

UNLESS OTHERWISE SPECIFIED:  
 DIMENSIONS ARE IN INCHES  
 TOLERANCES:  
 FRACTIONAL ±1/32  
 THREE PLACE DECIMAL ± 0.030

DO NOT SCALE DRAWING

By: Keven      DATE: 6/1/2021

PART NO. **2-NUP-3A**

DWG. NO. PRP:"SW-Title"

WEIGHT: SW-Mass@par19.SLDPRT      REV

SCALE: 1:1      SHEET 1 OF 1

8 7 6 5 4 3 2 1