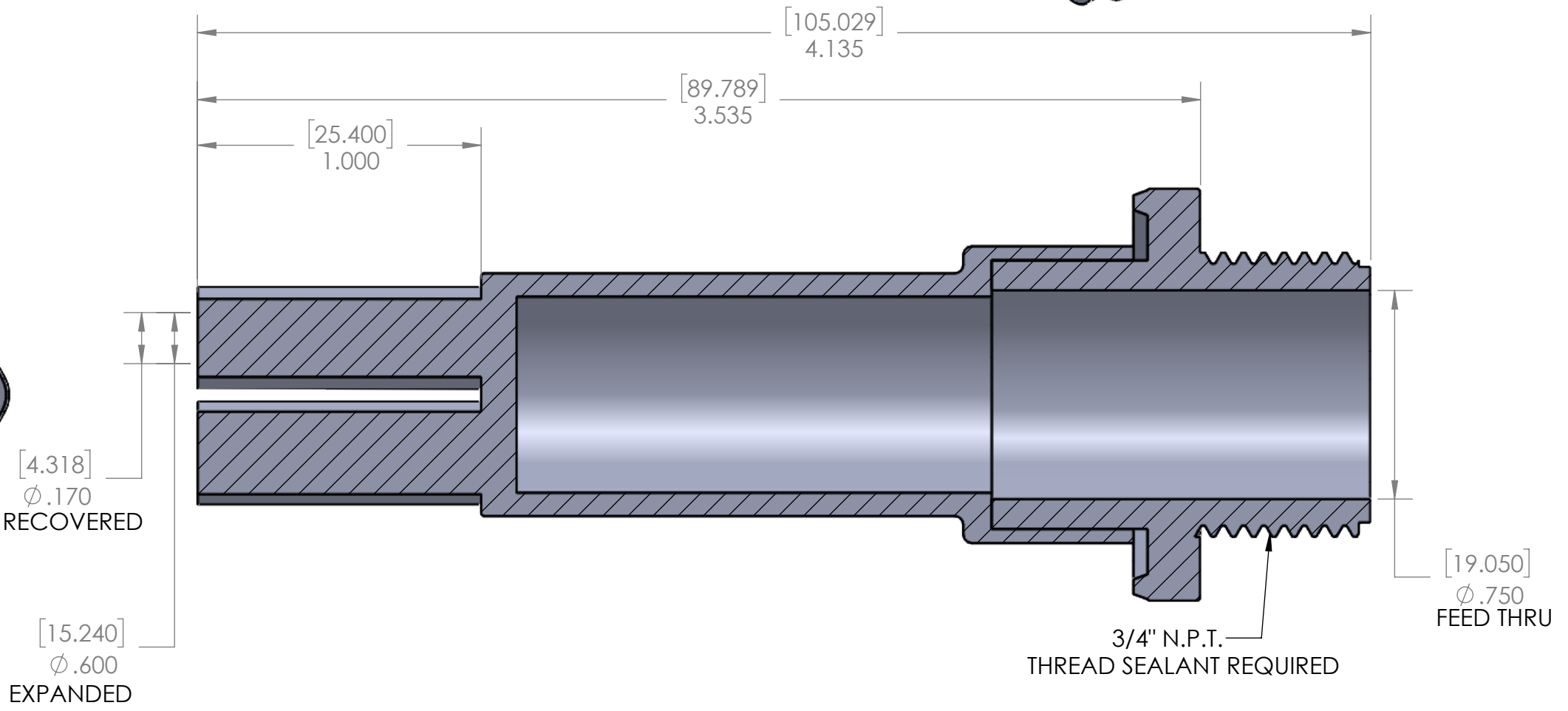
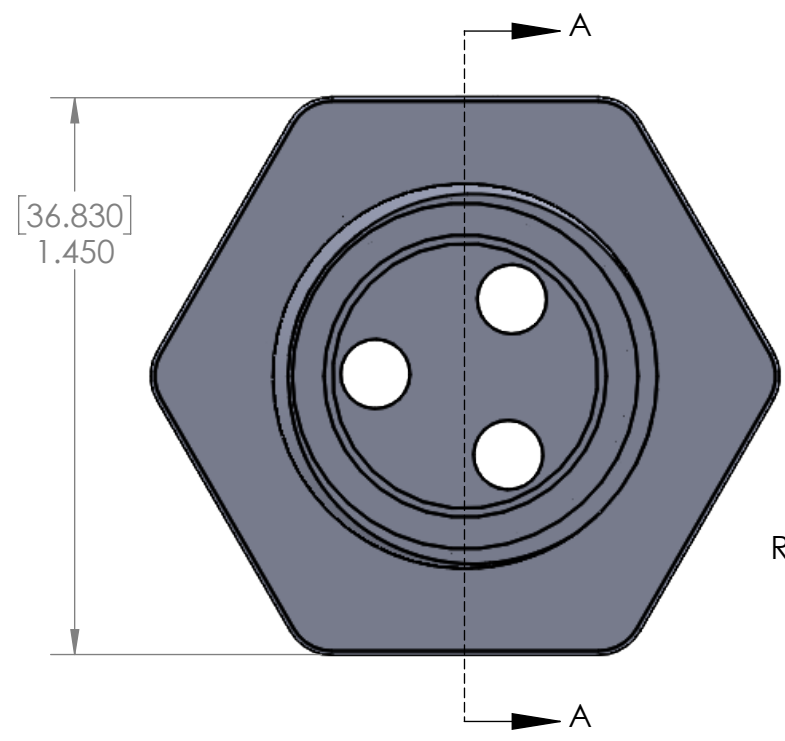
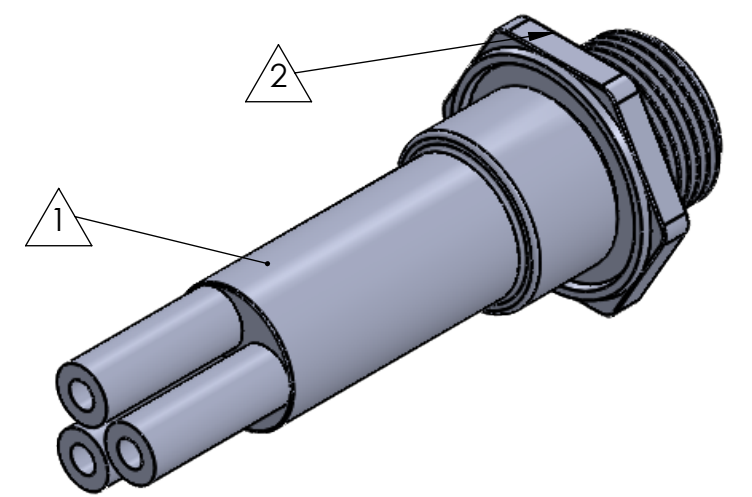


8 7 6 5 4 3 2 1



SECTION A-A
SCALE 2:1

ITEM	PART DESCRIPTION	PART NO.	MATERIAL
①	Heat-shrinkable boot	NUBB3-2	HS 3123
②	Body	P-2B	Nylon
③			
④			
⑤	Adhesive	A-010	Hotmelt ADH
⑥			

Nu-Tech

UNLESS OTHERWISE SPECIFIED: DIMENSIONS ARE IN INCHES TOLERANCES: FRACTIONAL ±1/32 THREE PLACE DECIMAL ± 0.030 DO NOT SCALE DRAWING	PART NO. 2-NUP-3B	
	DWG. NO. PRP:"SW-Title"	
	WEIGHT: SW-Mass@par19.SLDPRT	REV
	By: Keven	DATE: 6/1/2021
SCALE: 1:1	SHEET 1 OF 1	

A A

8 7 6 5 4 3 2 1