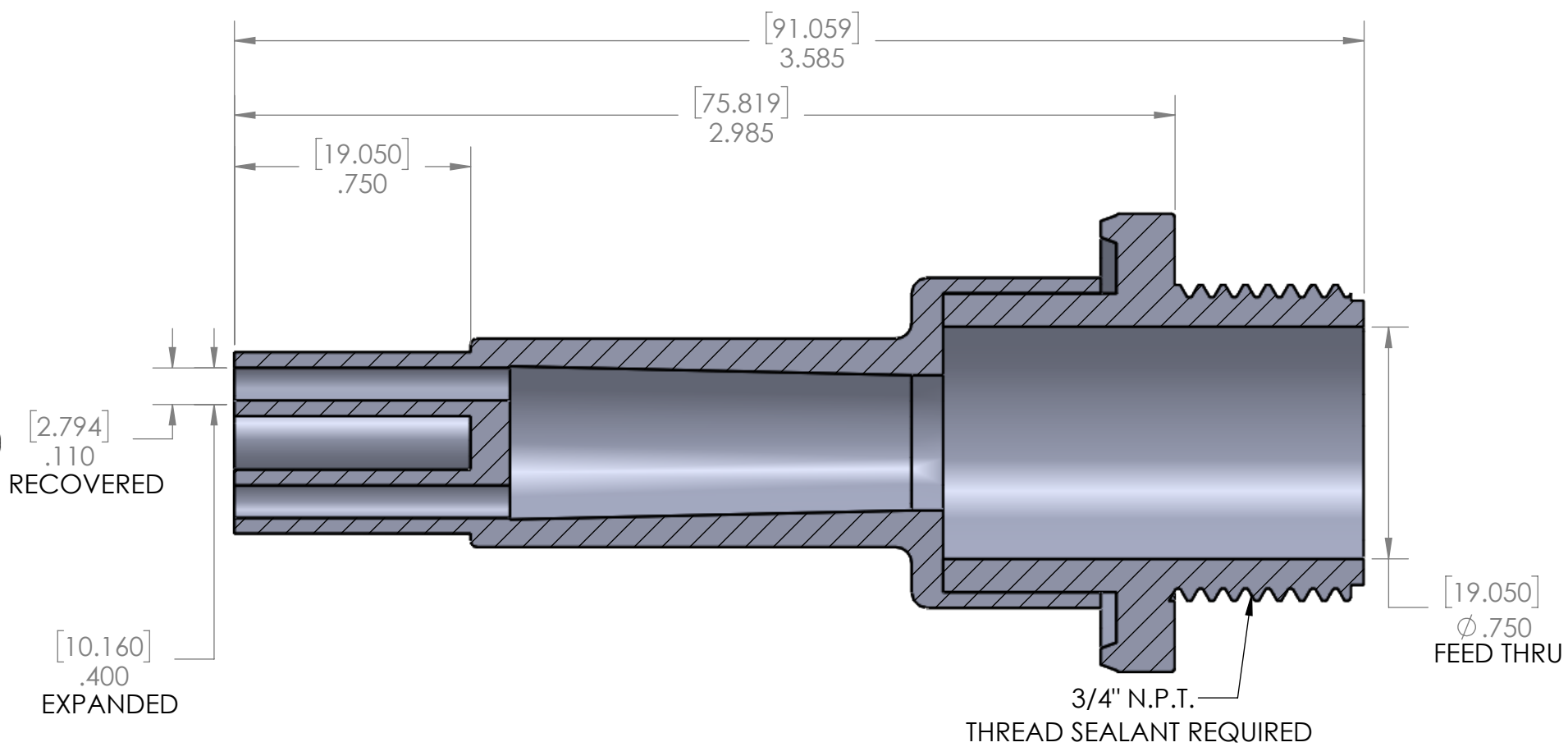
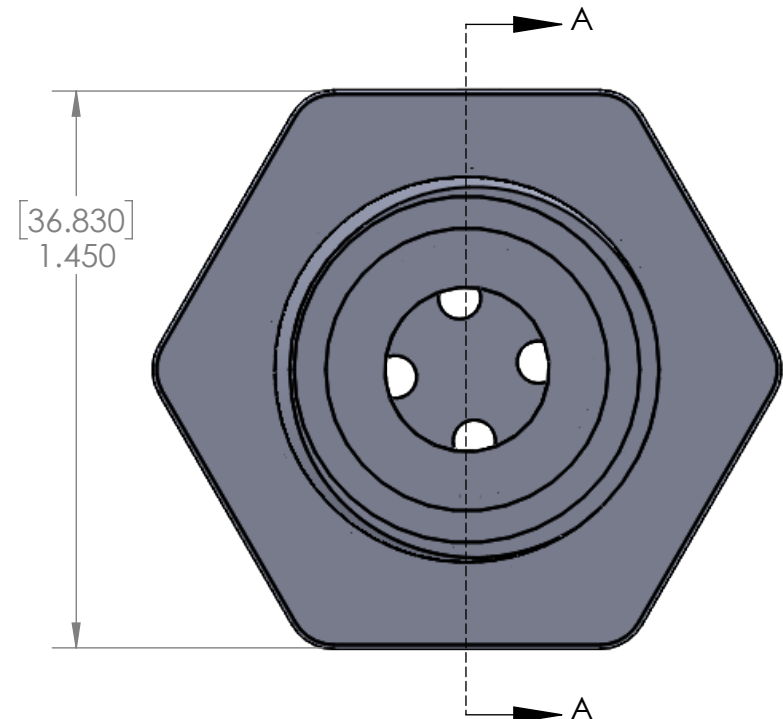
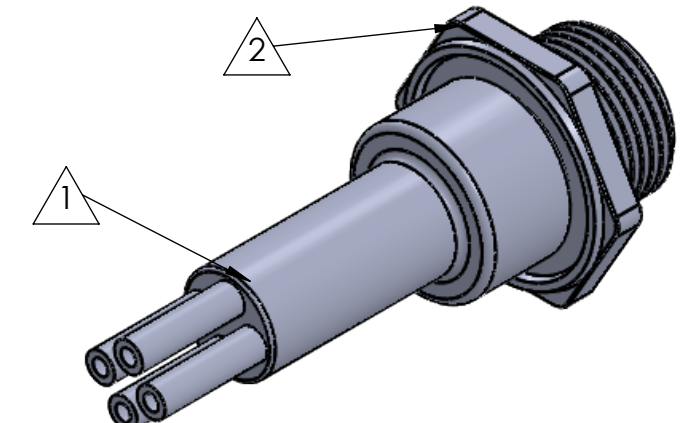


8 7 6 5 4 3 2 1

D
C
B
A

D
C
B
A



SECTION A-A
SCALE 2 : 1

ITEM	PART DESCRIPTION	PART NO.	MATERIAL
①	Heat-shrinkable boot	NUBB4-1	HS 3123
②	Body	P-2B	Nylon
③			
④			
⑤	Adhesive	A-010	Hotmelt ADH
⑥			

UNLESS OTHERWISE SPECIFIED:
 DIMENSIONS ARE IN INCHES
 TOLERANCES:
 FRACTIONAL ±1/32
 THREE PLACE DECIMAL ± 0.030
 DO NOT SCALE DRAWING
 By: Keven

Nu-Tech

PART NO.	2-NUP-4A	
DWG. NO.	PRP:"SW-Title"	
WEIGHT:	SW-Mass@par19.SLDPRT	REV
SCALE:	1:1	SHEET 1 OF 1

8 7 6 5 4 3 2 1