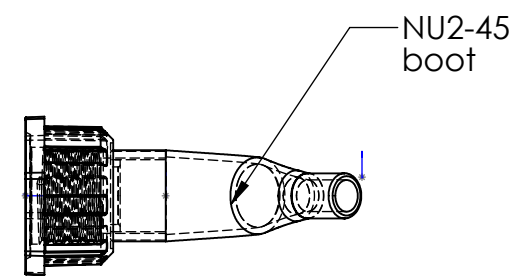
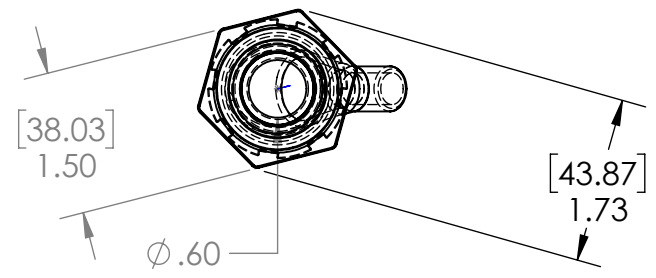
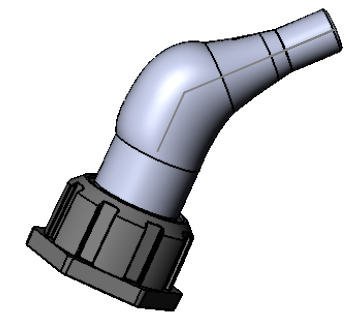
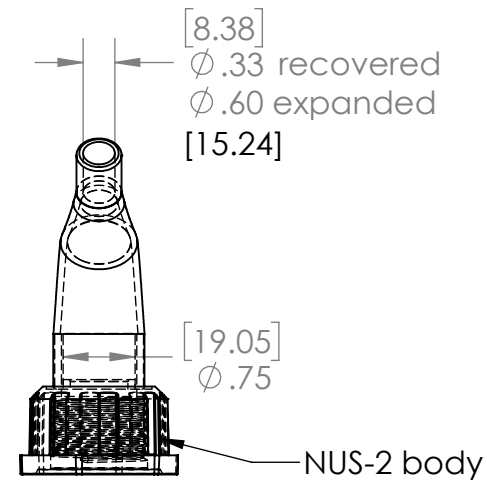
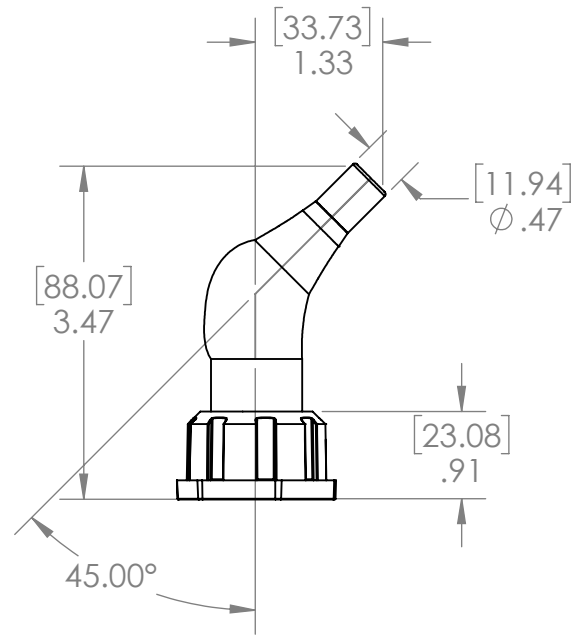


2

1

B

B



A

A

UNLESS OTHERWISE SPECIFIED:		NAME	DATE	NU-TECH	
DIMENSIONS ARE IN INCHES		DRAWN	RB	2-2019	
TOLERANCES:		CHECKED		TITLE:	
FRACTIONAL ±		ENG APPR.		2-NUS-2-45	
ANGULAR: MACH ± BEND ±		MFG APPR.			
TWO PLACE DECIMAL ±		Q.A.		SIZE	DWG. NO.
THREE PLACE DECIMAL ±		COMMENTS:		A	REV
INTERPRET GEOMETRIC TOLERANCING PER:				SCALE: 1:2	SHEET 1 OF 1
MATERIAL					
FINISH					
DO NOT SCALE DRAWING					

2

1