

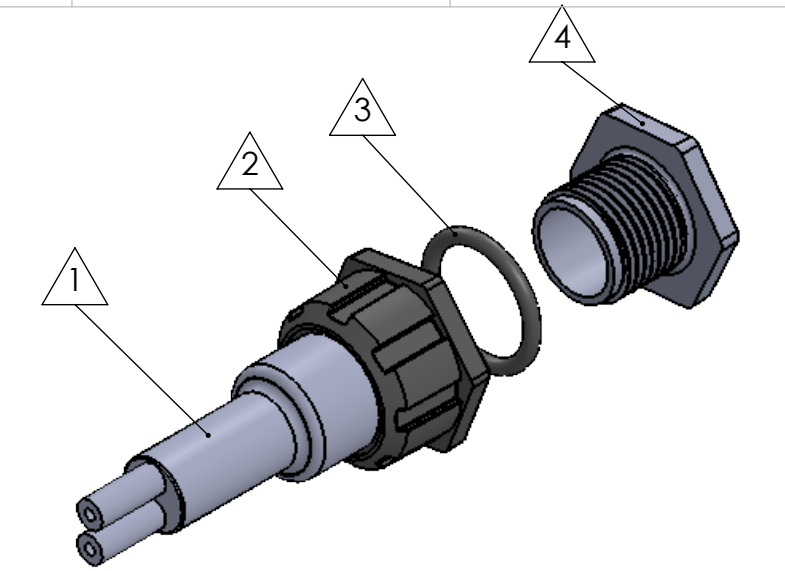
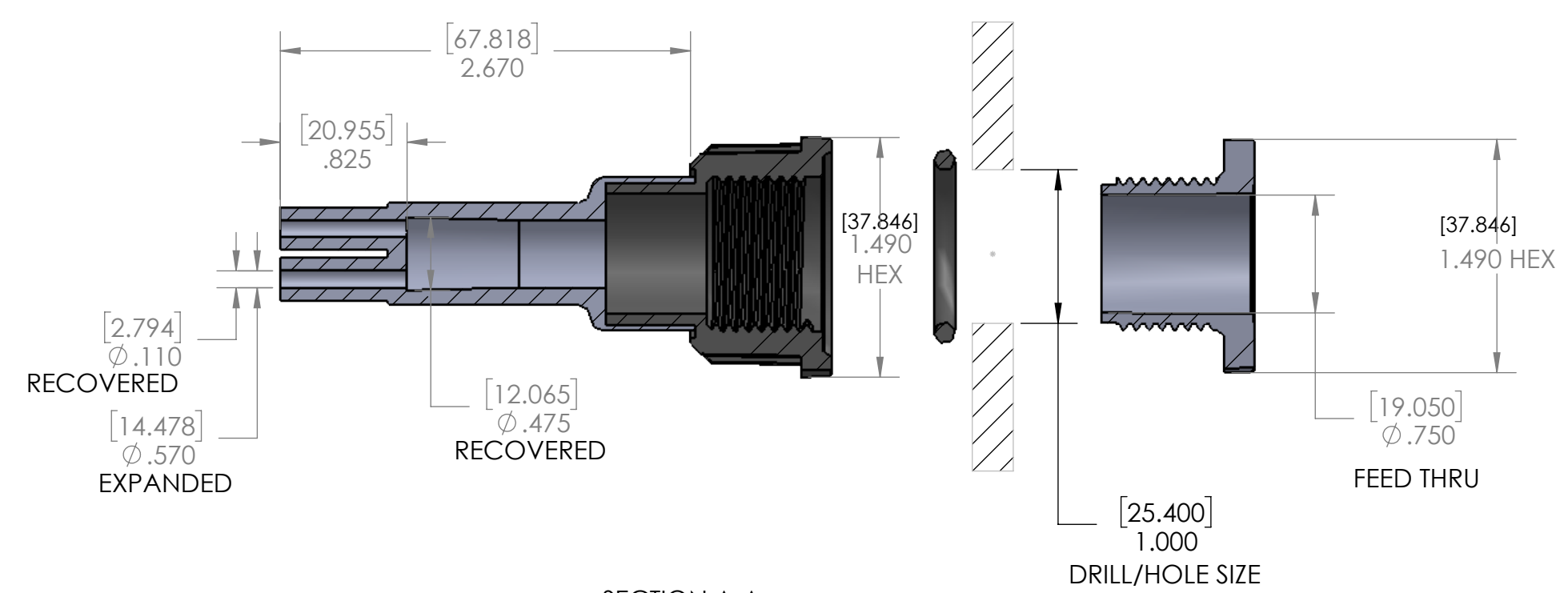
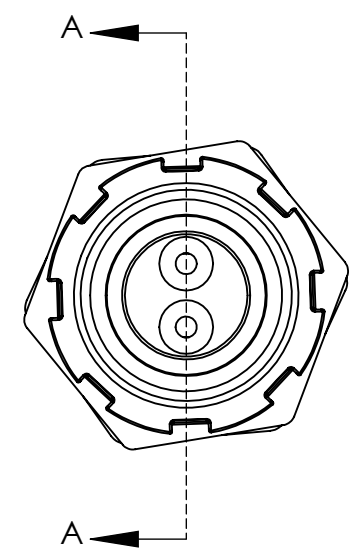
8 7 6 5 4 3 2 1

D

C

B

A



ITEM	PART DESCRIPTION	PART NO.	MATERIAL
①	Heat-shrinkable boot	NUBB2-1	HS 3123
②	Body	S-1B	Nylon
③	O-ring	S-1or	Buna
④	Nut	S-1N	Nylon
⑤	Adhesive	A-010	Hotmelt ADH
⑥			

Nu-Tech

UNLESS OTHERWISE SPECIFIED:		PART NO.	
DIMENSIONS ARE IN INCHES		2-NUS-2AOE	
TOLERANCES:		DWG. NO. PRP:"SW-Title"	
FRACTIONAL ±1/32		WEIGHT: SW-Mass@par19.SLDPRT	
THREE PLACE DECIMAL ± 0.030		REV	
DO NOT SCALE DRAWING		SCALE: 1:2	
DRAWN: HH	DATE: 12/6/2019	SHEET 1 OF 1	

8 7 6 5 4 3 2 1