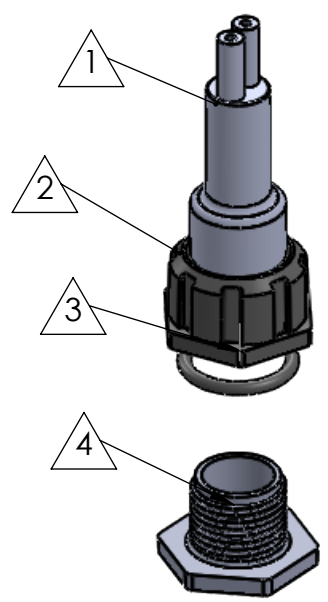
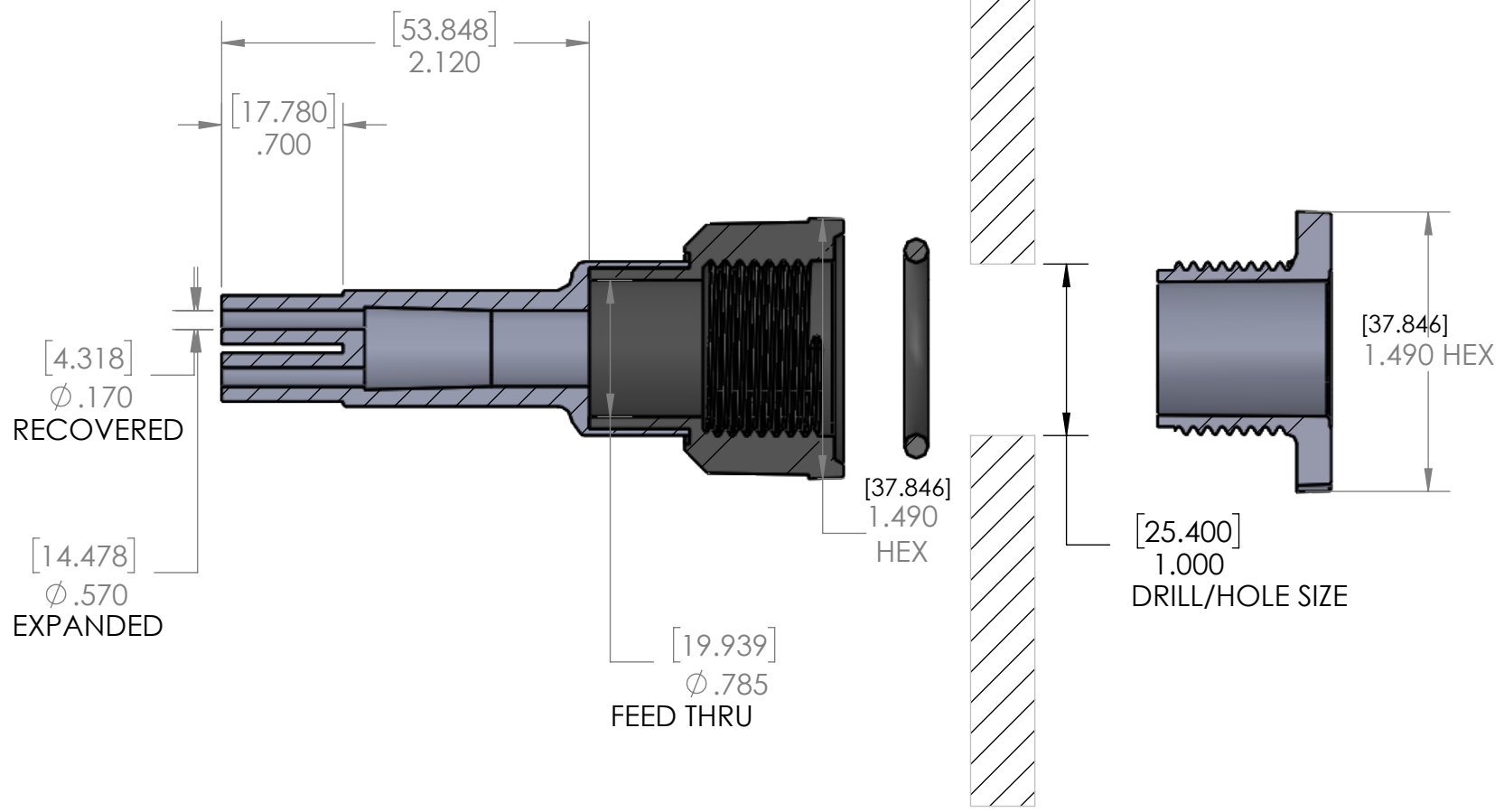
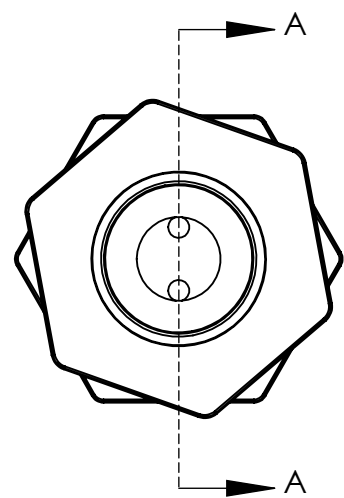


8 7 6 5 4 3 2 1

D  
C  
B  
A



SECTION A-A  
SCALE 1 : 1

ITEM	PART DESCRIPTION	PART NO.	MATERIAL
①	Heat-shrinkable boot	NUBB2-2	HS 3123
②	Body	S-2B	Nylon
③	O-ring	S-2OR	Buna
④	Nut	S-2N	Nylon
⑤	Adhesive	A-010	Hotmelt ADH
⑥			

**Nu-Tech**

UNLESS OTHERWISE SPECIFIED:  
DIMENSIONS ARE IN INCHES  
TOLERANCES:  
FRACTIONAL ±1/32  
THREE PLACE DECIMAL ± 0.030  
DO NOT SCALE DRAWING  
By: Keven

PART NO.	2-NUS-2B	
DWG. NO.	PRP:"SW-Title"	
WEIGHT:	SW-Mass@par19.SLDPRT	REV
DATE:	5/21/2021	SCALE: 1:2
		SHEET 1 OF 1

8 7 6 5 4 3 2 1