

8 7 6 5 4 3 2 1

D

D

C

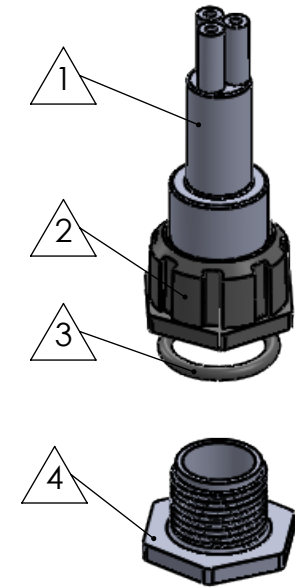
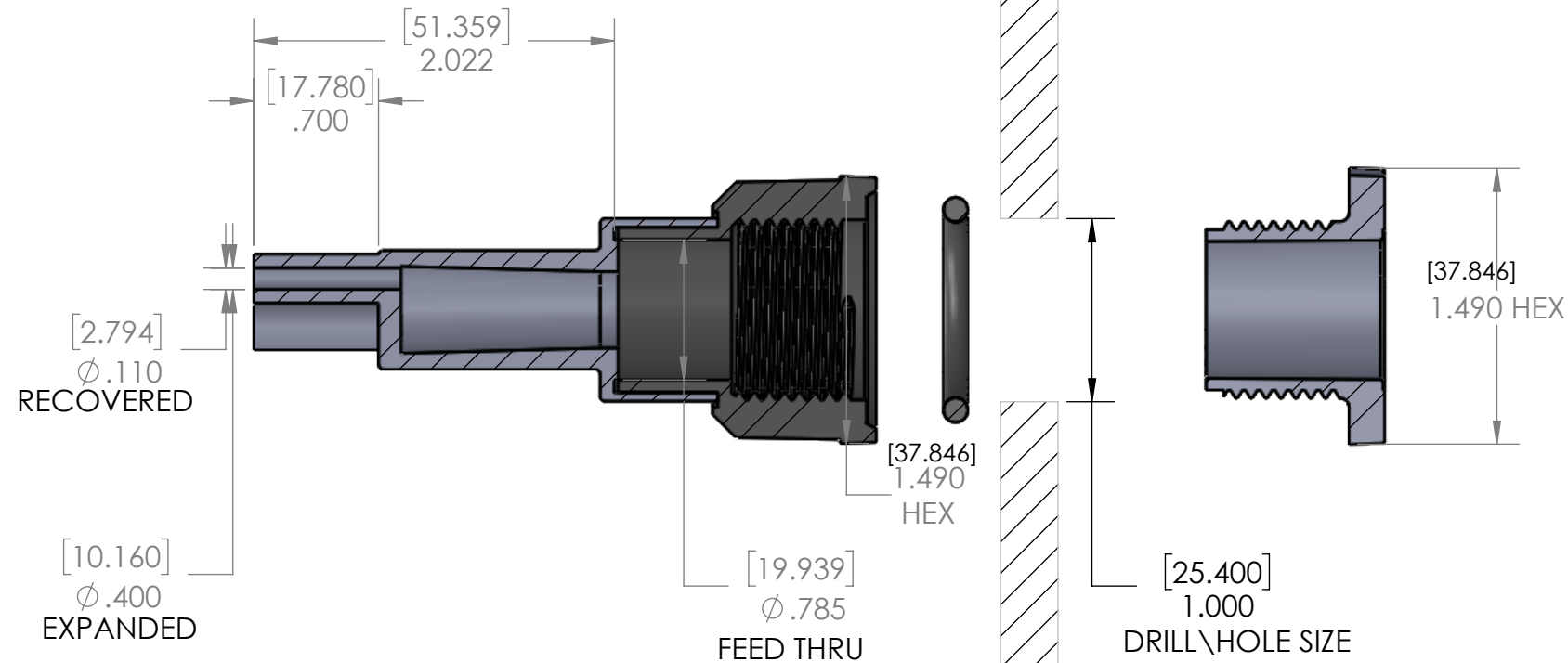
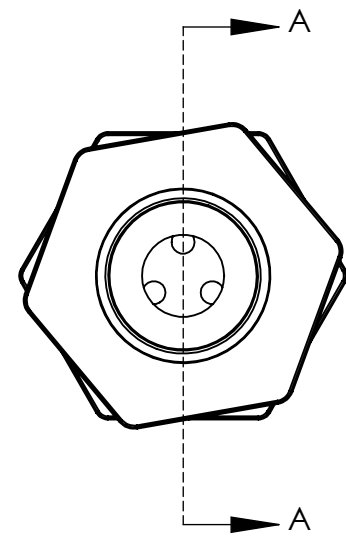
C

B

B

A

A



ITEM	PART DESCRIPTION	PART NO.	MATERIAL
①	Heat-shrinkable boot	NUBB3-1	HS 3123
②	Body	S-2B	Nylon
③	O-ring	S-2OR	Buna
④	Nut	S-2N	Nylon
⑤	Adhesive	A-010	Hotmelt ADH
⑥			

Nu-Tech

UNLESS OTHERWISE SPECIFIED:

DIMENSIONS ARE IN INCHES
TOLERANCES:
FRACTIONAL $\pm 1/32$
THREE PLACE DECIMAL ± 0.030

DO NOT SCALE DRAWING

By: Keven

DATE: 5/28/2021

PART NO.

2-NUS-3A

DWG. NO.

PRP:"SW-Title"

WEIGHT:

SW-Mass@par19.SLDPRT

REV

SCALE:

1:2

SHEET 1 OF 1

8 7 6 5 4 3 2 1