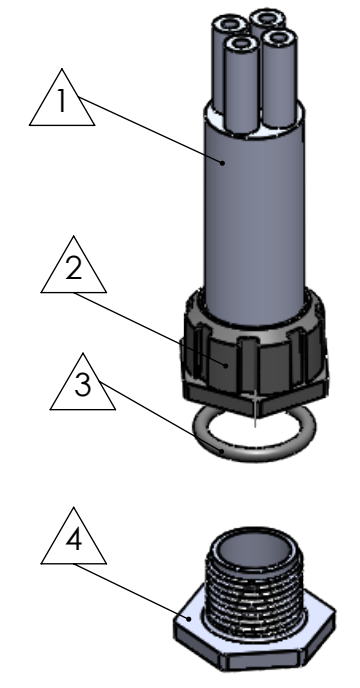
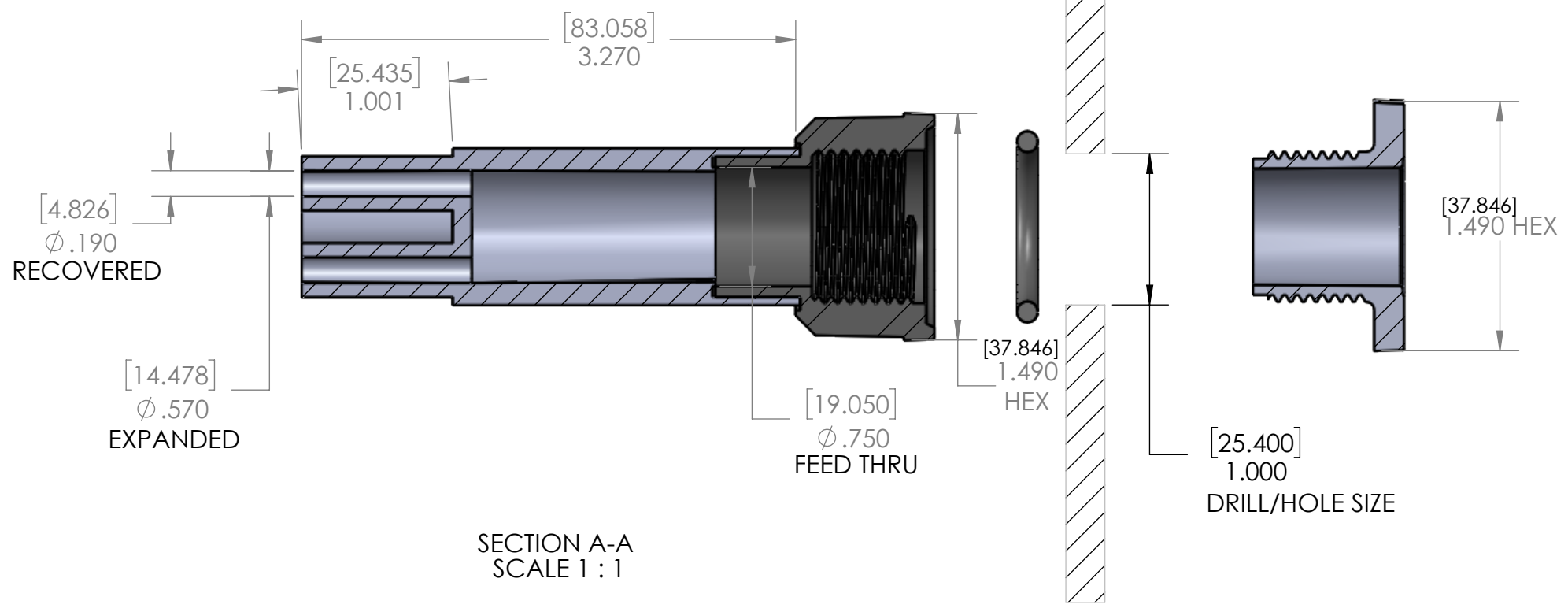
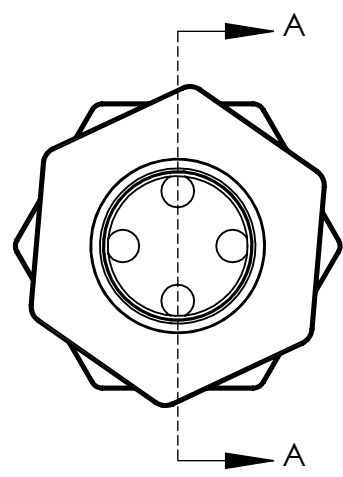


8 7 6 5 4 3 2 1

D  
C  
B  
A



ITEM	PART DESCRIPTION	PART NO.	MATERIAL
①	Heat-shrinkable boot	S-2B	HS 3123
②	Body	S-2OR	Nylon
③	O-ring	S-2N	Buna
④	Nut		Nylon
⑤	Adhesive	A-010	Hotmelt ADH
⑥			

**Nu-Tech**

UNLESS OTHERWISE SPECIFIED:  
DIMENSIONS ARE IN INCHES  
TOLERANCES:  
FRACTIONAL ± 1/32  
THREE PLACE DECIMAL ± 0.030  
DO NOT SCALE DRAWING

PART NO.	<b>2-NUS-4B</b>	
DWG. NO.	PRP:"SW-Title"	
WEIGHT:	SW-Mass@par19.SLDPRT	REV
SCALE:	1:2	SHEET 1 OF 1

By: Keven

DATE: 5/28/2021

8 7 6 5 4 3 2 1