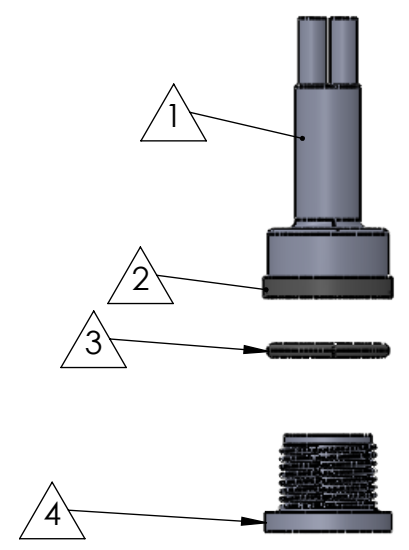
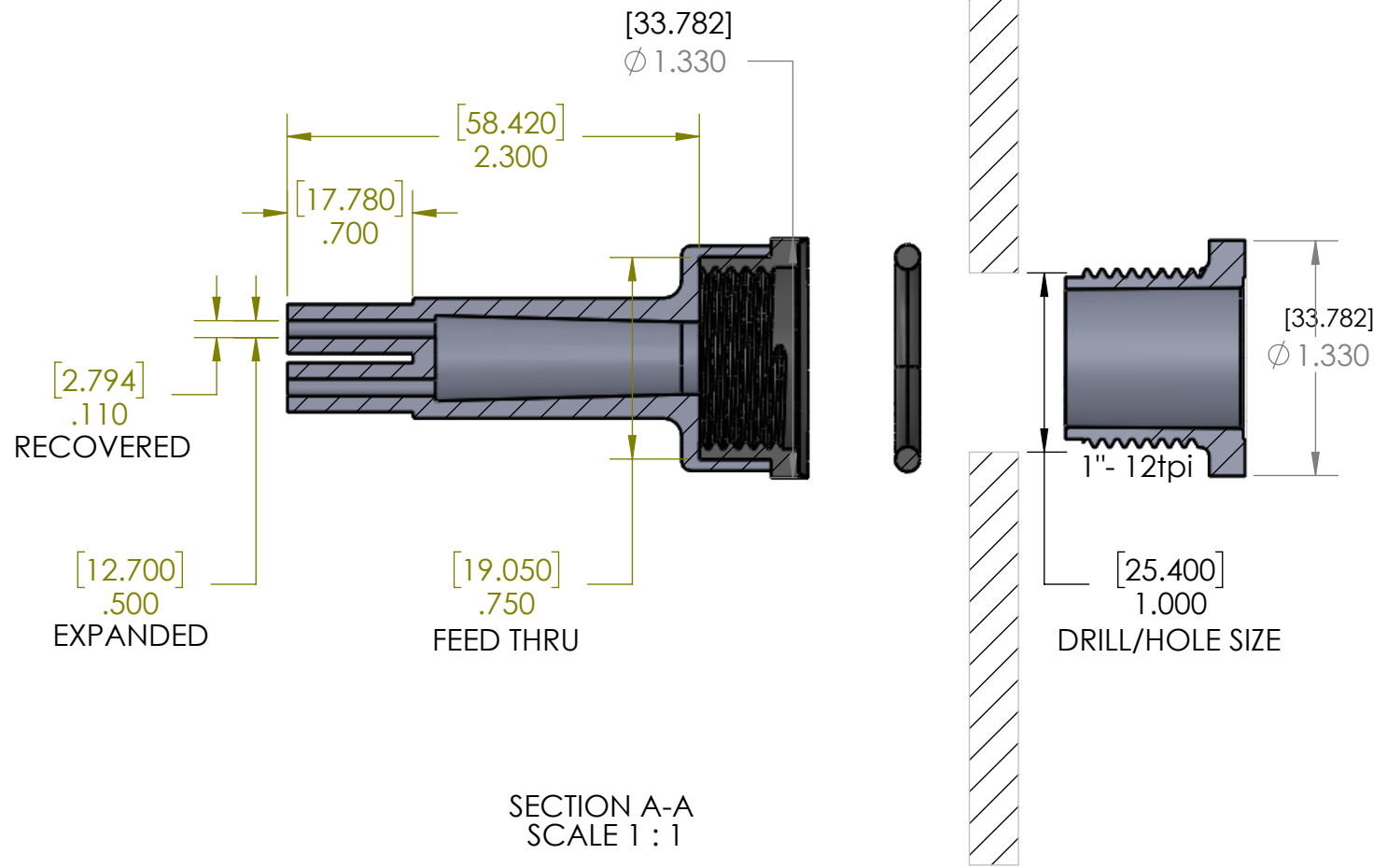
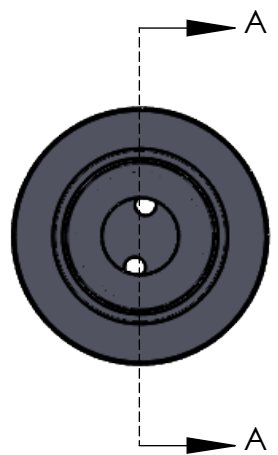


8 7 6 5 4 3 2 1

D
C
B
A



SECTION A-A
SCALE 1 : 1

ITEM	PART DESCRIPTION	PART NO.	MATERIAL	Nu-Tech	
①	Heat-shrinkable boot	NUBB2-1	HS 3123		
②	Body	SX-2	Nylon	DWG. NO. PRP:"SW-Title"	
③	O-ring	S-2OR	Buna		
④	Nut	S-2N	Nylon	SCALE: 1:2 SHEET 1 OF 1	
⑤	Adhesive	A-010	Hotmelt ADH		
⑥					

UNLESS OTHERWISE SPECIFIED:
 DIMENSIONS ARE IN INCHES
 TOLERANCES:
 FRACTIONAL ±1/32
 THREE PLACE DECIMAL ± 0.030
 DO NOT SCALE DRAWING

8 7 6 5 4 3 2 1