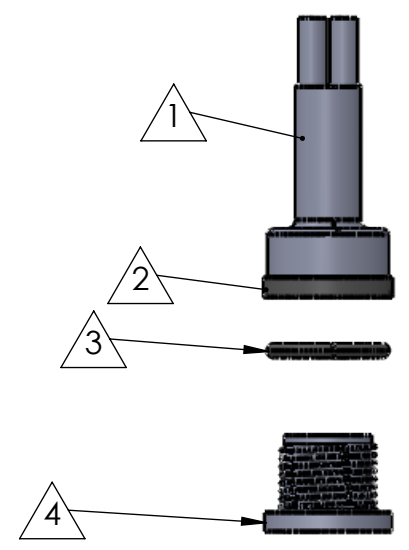
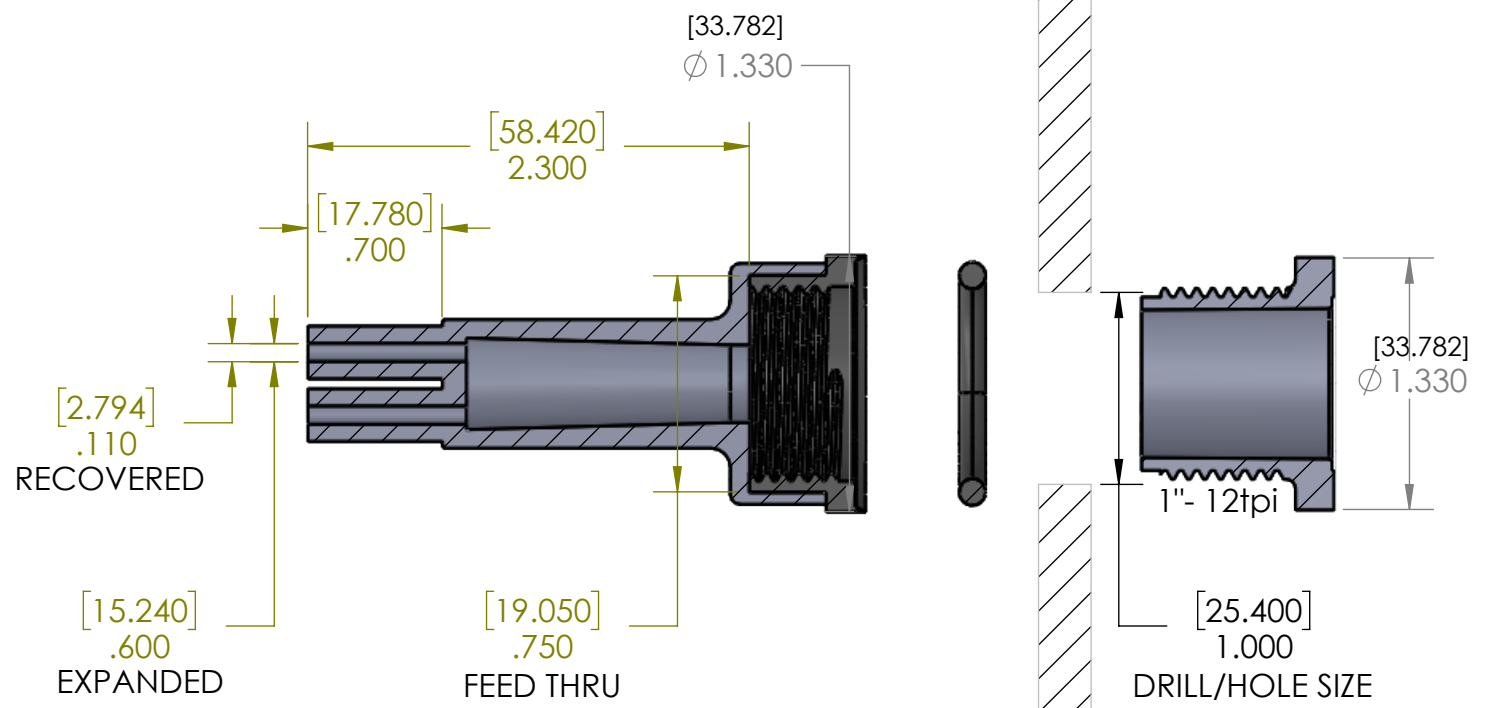
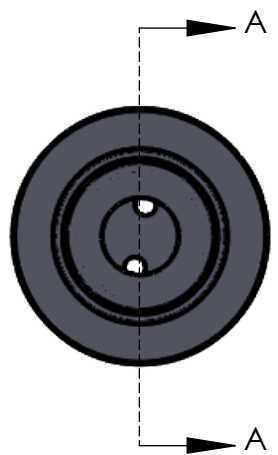


8 7 6 5 4 3 2 1

D
C
B
A



SECTION A-A
SCALE 1 : 1

ITEM	PART DESCRIPTION	PART NO.	MATERIAL	Nu-Tech			
①	Heat-shrinkable boot	NUBB2-1	HS 3123			UNLESS OTHERWISE SPECIFIED: DIMENSIONS ARE IN INCHES TOLERANCES: FRACTIONAL ±1/32 THREE PLACE DECIMAL ± 0.030 DO NOT SCALE DRAWING By: Keven DATE: 3/16/2016	
②	Body	SX-2	Nylon	PART NO. 2X-NUS-2AOE			
③	O-ring	S-2OR	Buna	DWG. NO. PRP:"SW-Title"			
④	Nut	S-2N	Nylon	WEIGHT: SW-Mass@par19.SLDPRT REV			
⑤	Adhesive	A-010	Hotmelt ADH	SCALE: 1:2 SHEET 1 OF 1			
⑥							

8 7 6 5 4 3 2 1