

8 7 6 5 4 3 2 1

D

D

C

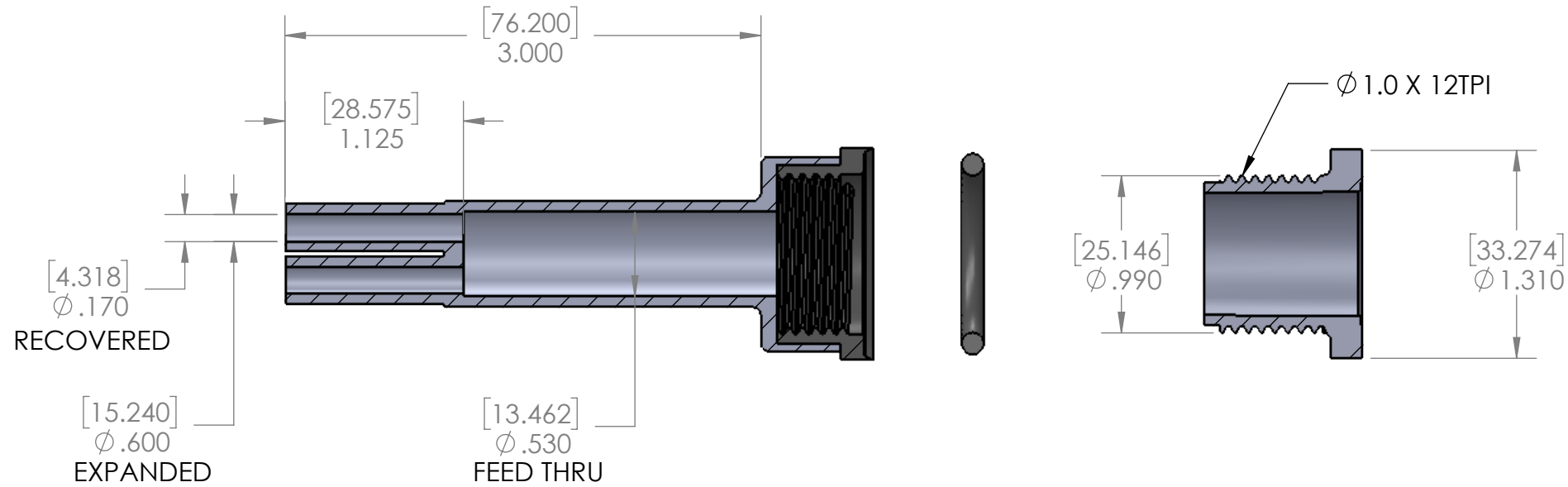
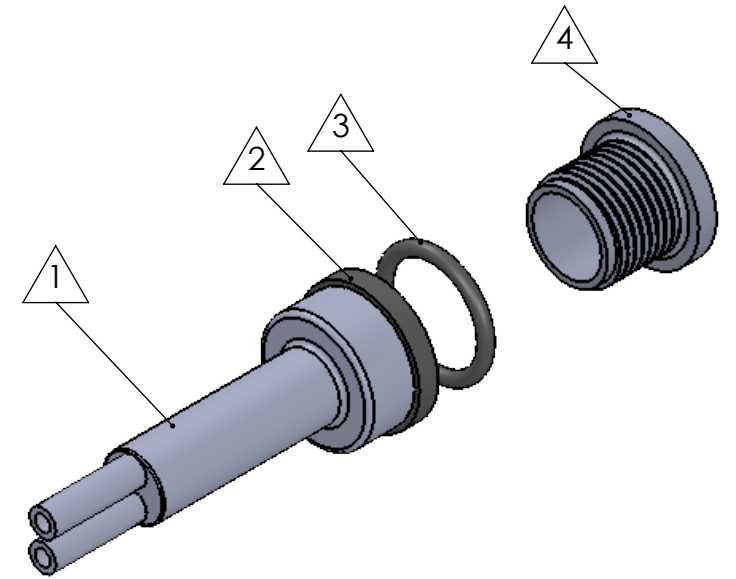
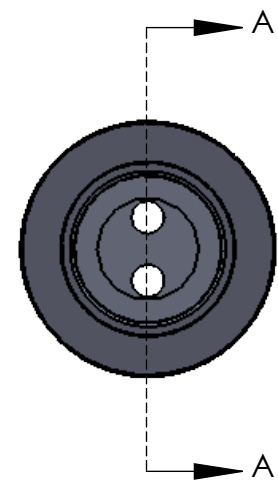
C

B

B

A

A



SECTION A-A
SCALE 1 : 1

ITEM	PART DESCRIPTION	PART NO.	MATERIAL	Nu-Tech	
①	Heat-shrinkable boot		HS 3123		
②	Body		Nylon	DWG. NO. PRP:"SW-Title"	
③	O-ring		Buna	WEIGHT: SW-Mass@par19.SLDPRT	REV
④	Nut		Nylon	DRAWN: HH	DATE: 12/6/2019
⑤	Adhesive	A-010	Hotmelt ADH	SCALE: 1:2	SHEET 1 OF 1
⑥					

8 7 6 5 4 3 2 1