

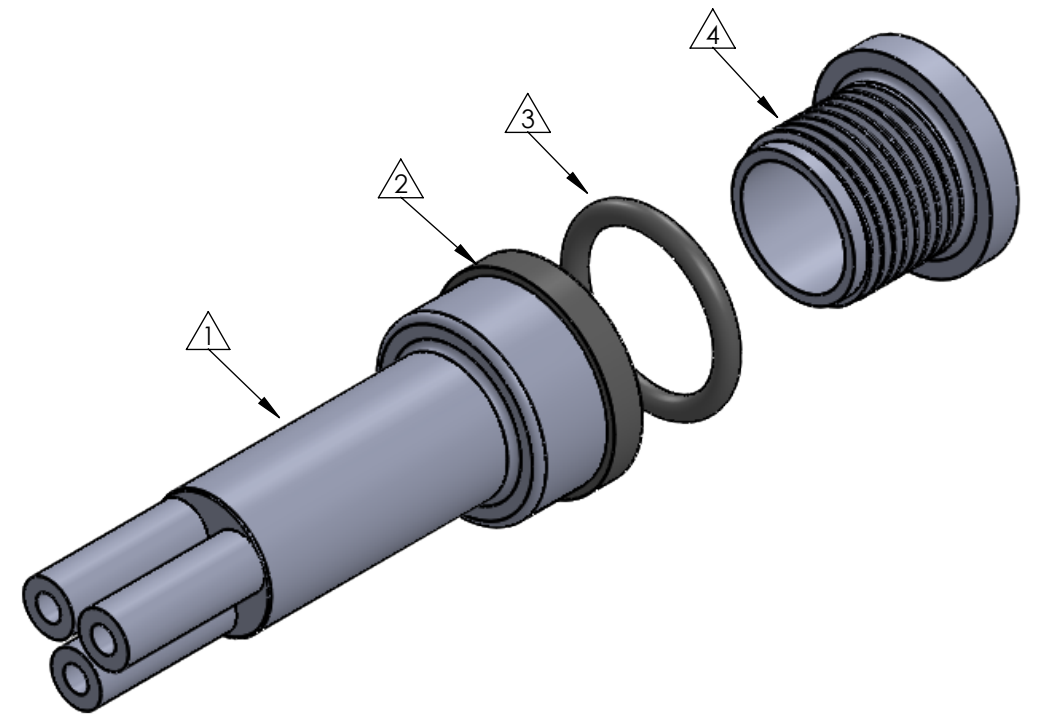
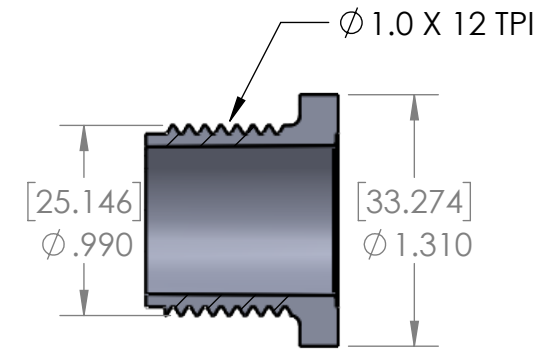
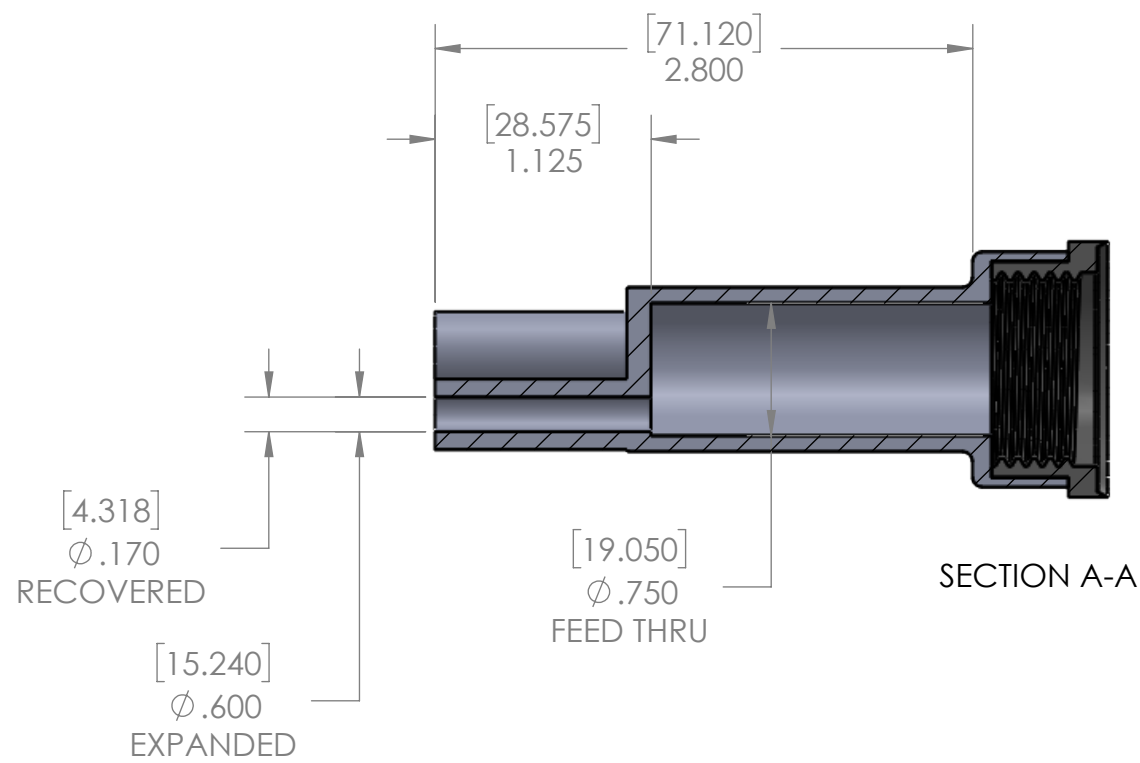
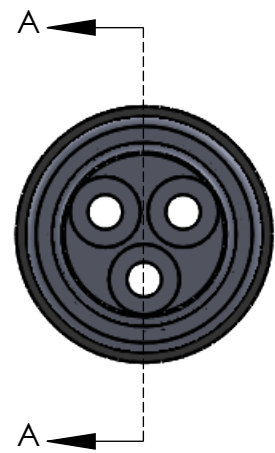
8 7 6 5 4 3 2 1

D

C

B

A



ITEM	PART DESCRIPTION	PART NO.	MATERIAL
①	Heat-shrinkable boot	NUBB3-2	HS 3123
②	Body	S-2XB	Nylon
③	O-ring	S-2XO	Buna
④	Nut	S-2XN	Nylon
⑤	Adhesive	A-010	Hotmelt ADH
⑥			

Nu-Tech

UNLESS OTHERWISE SPECIFIED:

DIMENSIONS ARE IN INCHES
TOLERANCES:
FRACTIONAL ± 1/32
THREE PLACE DECIMAL ± 0.030

DO NOT SCALE DRAWING

DRAWN: HH

DATE: 5/28/2021

PART NO.

2X-NUS-3B

DWG. NO.

WEIGHT:

REV

SCALE: 1:1

SHEET 1 OF 1

8 7 6 5 4 3 2 1