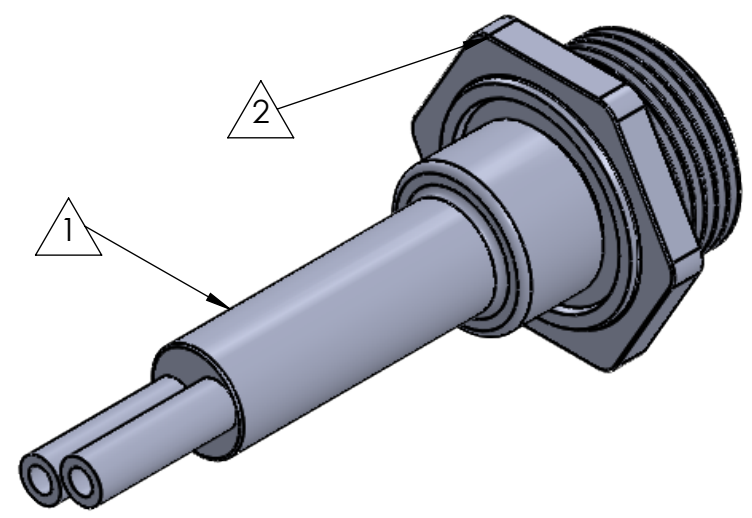
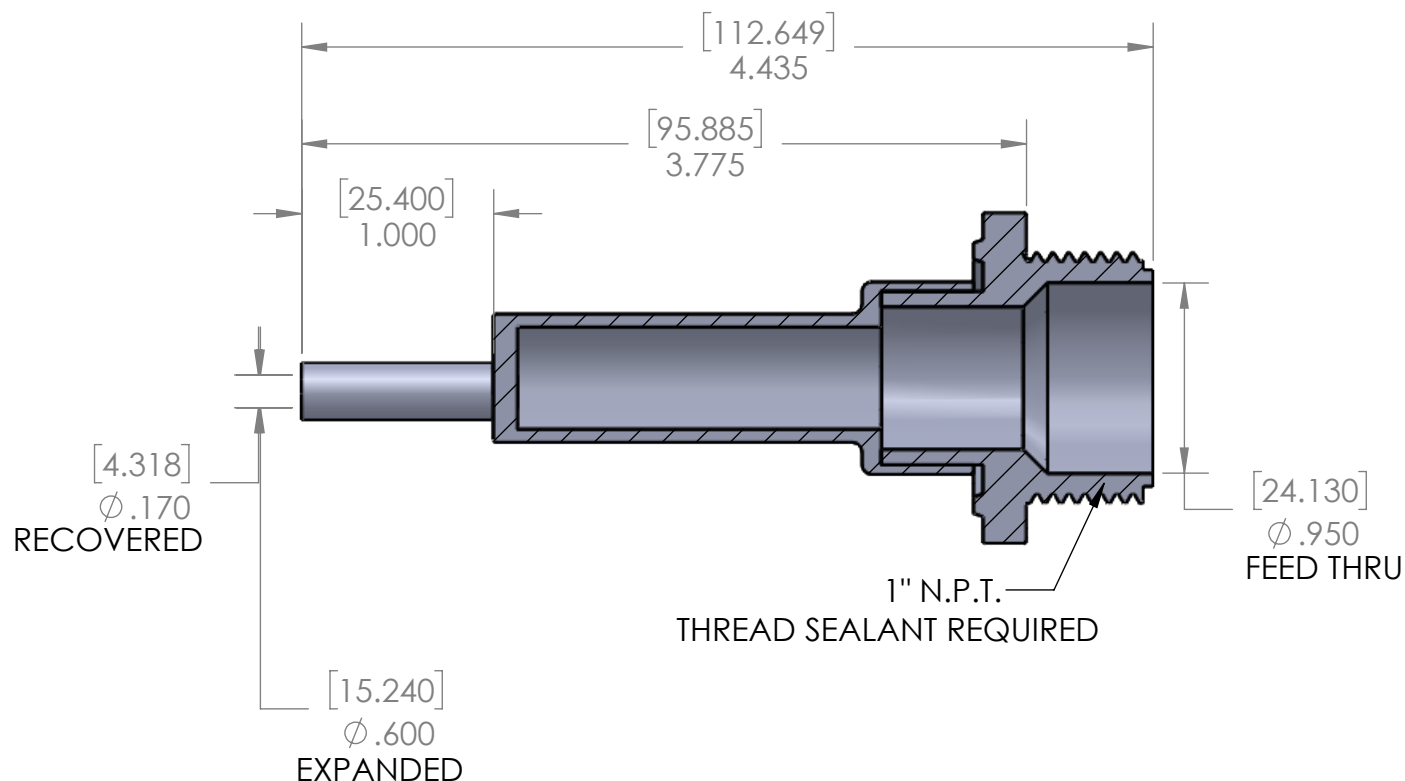


SECTION A-A  
SCALE 1:1



ITEM	PART DESCRIPTION	PART NO.	MATERIAL
①	Heat-shrinkable boot	NUBB2-2	HS 3123
②	Body	P-3B	Nylon
③			
④			
⑤	Adhesive	A-010	Hotmelt ADH
⑥			

# Nu-Tech

UNLESS OTHERWISE SPECIFIED: DIMENSIONS ARE IN INCHES TOLERANCES: FRACTIONAL ±1/32 THREE PLACE DECIMAL ± 0.030  DO NOT SCALE DRAWING	PART NO.		<b>3-NUP-2B</b>	
	DWG. NO.			PRP:"SW-Title"
	WEIGHT:	SW-Mass@par19.SLDPRT	REV	
	By: Keven	DATE: 6/1/2021	SCALE: 1:2	SHEET 1 OF 1