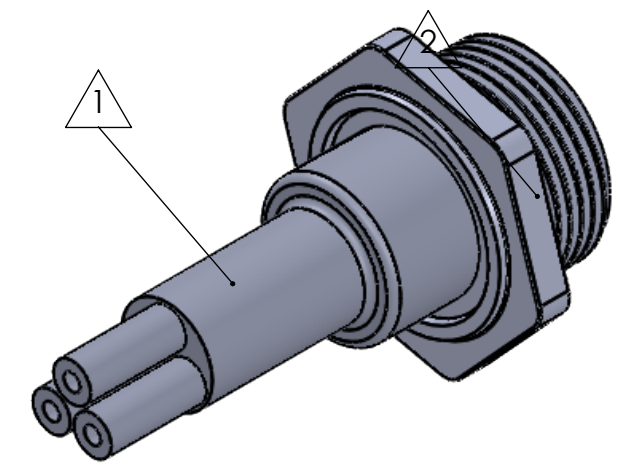
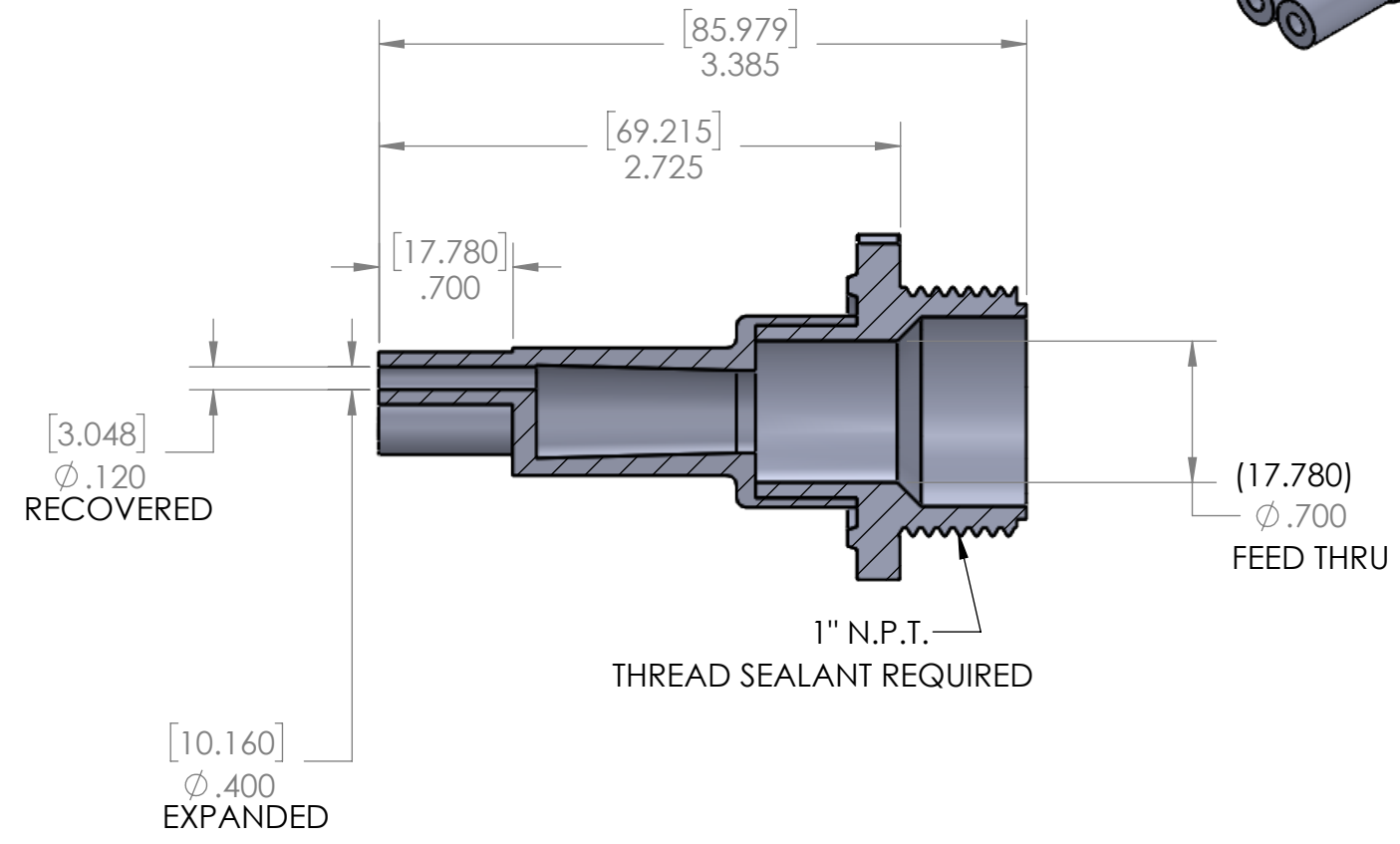


SECTION A-A



ITEM	PART DESCRIPTION	PART NO.	MATERIAL	<h2 style="text-align: center;">Nu-Tech</h2>	
①	Heat-shrinkable boot	NUBB3-1	HS 3123		
②	Body	P-3B	Nylon	PART NO. <b>3-NUP-3A</b>	
③	O-ring		Buna	DWG. NO. PRP:"SW-Title"	
④	Nut		Nylon	WEIGHT: SW-Mass@par19.SLDPRT    REV	
⑤	Adhesive	A-010	Hotmelt ADH	DO NOT SCALE DRAWING	
⑥				By: Keven    DATE: 6/1/2021	SCALE: 1:1    SHEET 1 OF 1