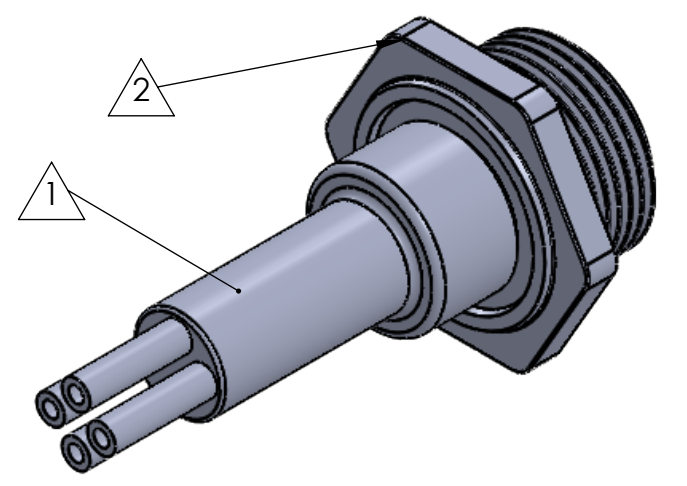
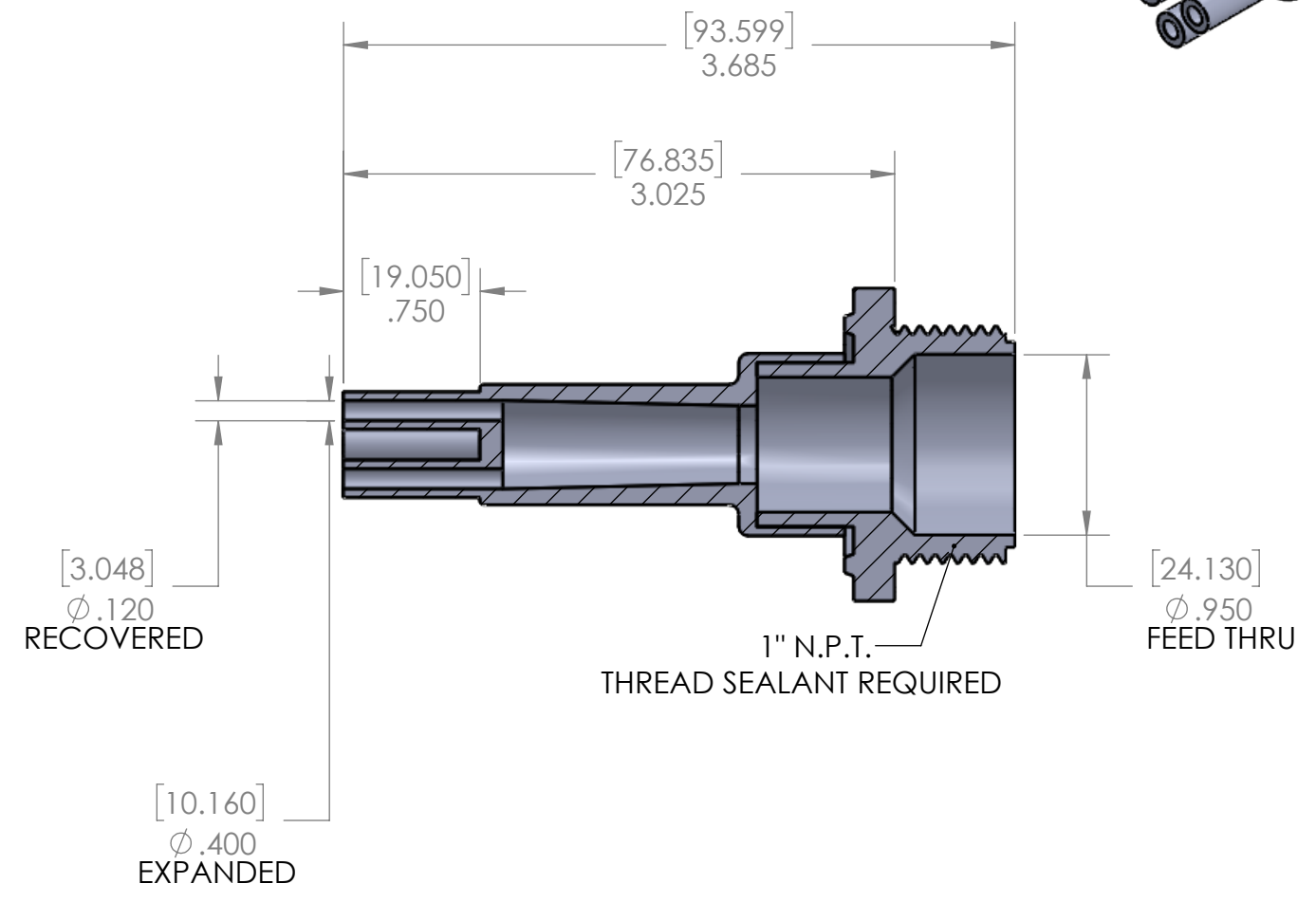


SECTION A-A



ITEM	PART DESCRIPTION	PART NO.	MATERIAL
①	Heat-shrinkable boot	NUBB4-1	HS 3123
②	Body	P-3B	Nylon
③			
④			
⑤	Adhesive	A-010	Hotmelt ADH
⑥			

UNLESS OTHERWISE SPECIFIED:
 DIMENSIONS ARE IN INCHES
 TOLERANCES:
 FRACTIONAL ± 1/32
 THREE PLACE DECIMAL ± 0.030
 DO NOT SCALE DRAWING
 By: Keven

Nu-Tech

PART NO.
3-NUP-4A

DWG. NO. PRP:"SW-Title"

WEIGHT: SW-Mass@par19.SLDPRT REV

SCALE: 1:1

DATE: 6/1/2021

SHEET 1 OF 1