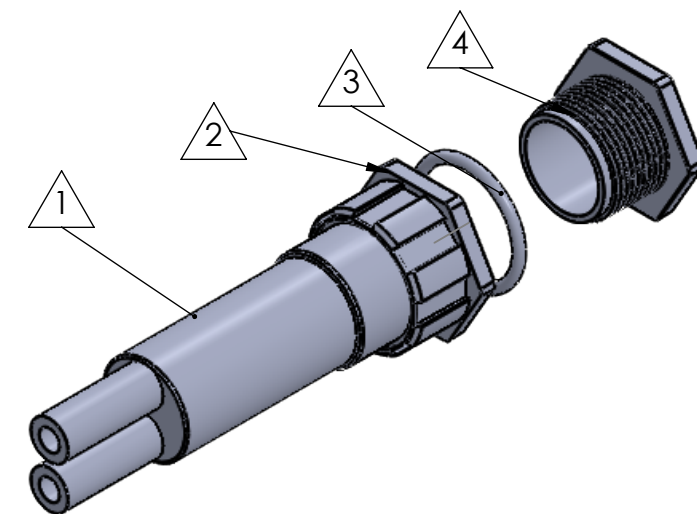
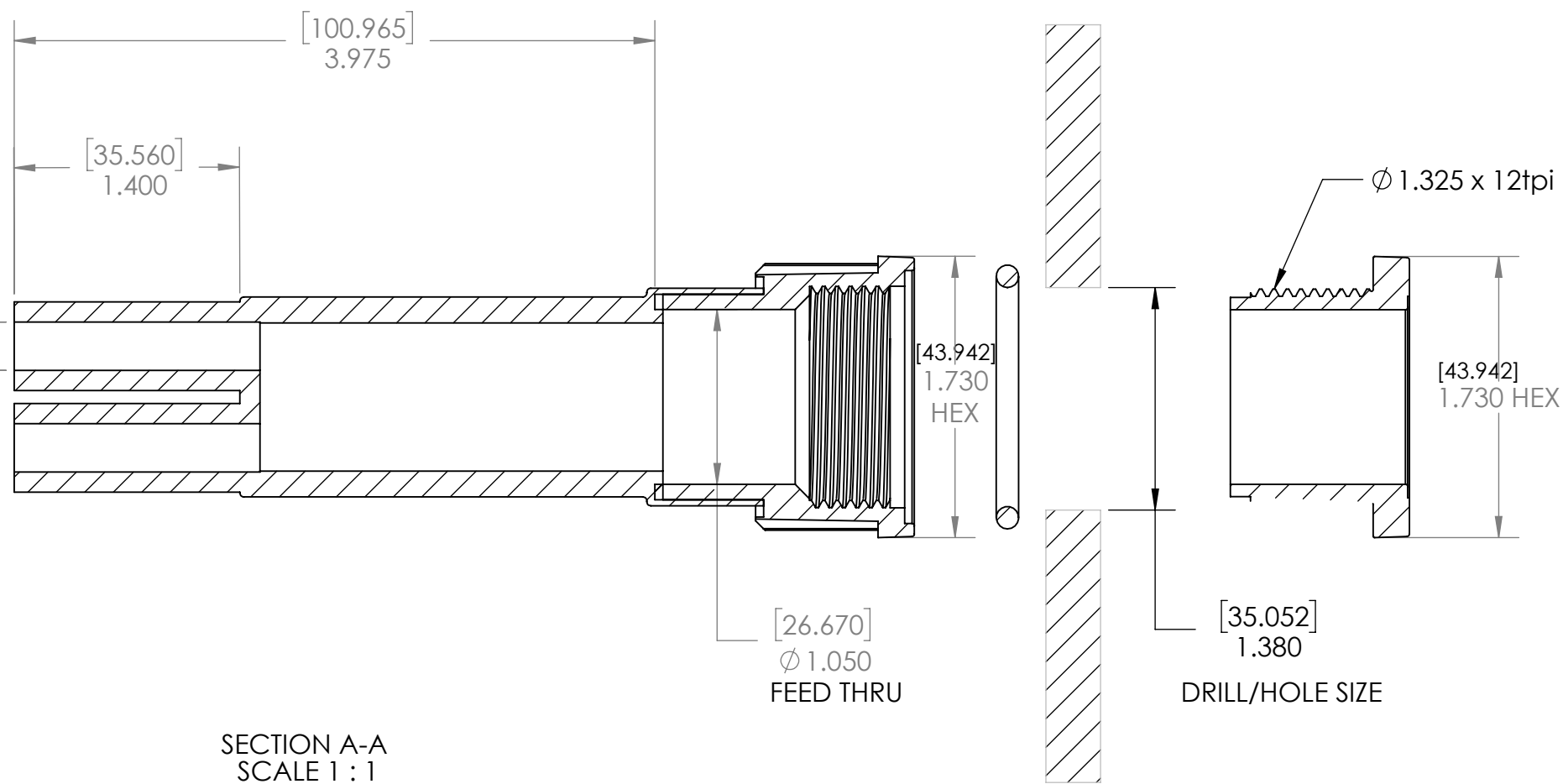


[7.620]
 ϕ .300
 RECOVERED

[22.860]
 ϕ .900
 EXPANDED



SECTION A-A
 SCALE 1 : 1

ITEM	PART DESCRIPTION	PART NO.	MATERIAL
①	Heat-shrinkable boot	NUBB2-3	HS 3123
②	Body	S-3B	Nylon
③	O-ring	S-3OR	Buna
④	Nut	S-3N	Nylon
⑤	Adhesive	A-010	Hotmelt ADH
⑥			

Nu-Tech

UNLESS OTHERWISE SPECIFIED:

DIMENSIONS ARE IN INCHES
 TOLERANCES:
 FRACTIONAL $\pm 1/32$
 THREE PLACE DECIMAL ± 0.030

DO NOT SCALE DRAWING

By: Keven

DATE: 5/28/2021

PART NO.

3-NUS-2C

DWG. NO.

PRP:"SW-Title"

WEIGHT:

SW-Mass@par19.SLDPRT

REV

SCALE:

1:2

SHEET 1 OF 1