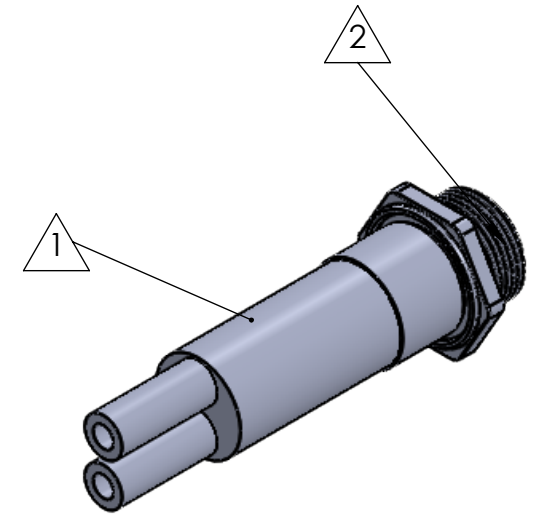


SECTION A-A



ITEM	PART DESCRIPTION	PART NO.	MATERIAL	Nu-Tech	
①	Heat-shrinkable boot	NUBB2-3	HS 3123		
②	Body		Nylon	DIMENSIONS ARE IN INCHES TOLERANCES: FRACTIONAL ±1/32 THREE PLACE DECIMAL ± 0.030	
③	O-ring		Buna		
④	Nut	P-3A	Nylon	WEIGHT: SW-Mass@par19.SLDPRT REV	
⑤	Adhesive	A-010	Hotmelt ADH		
⑥					