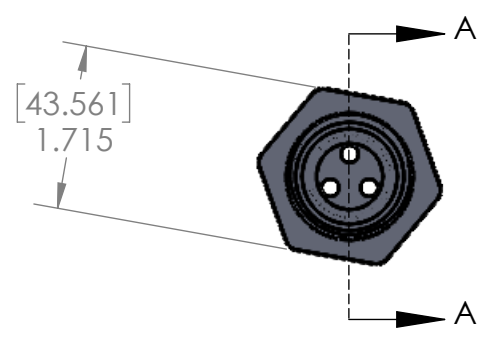


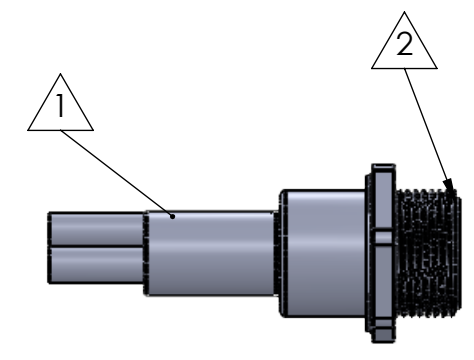
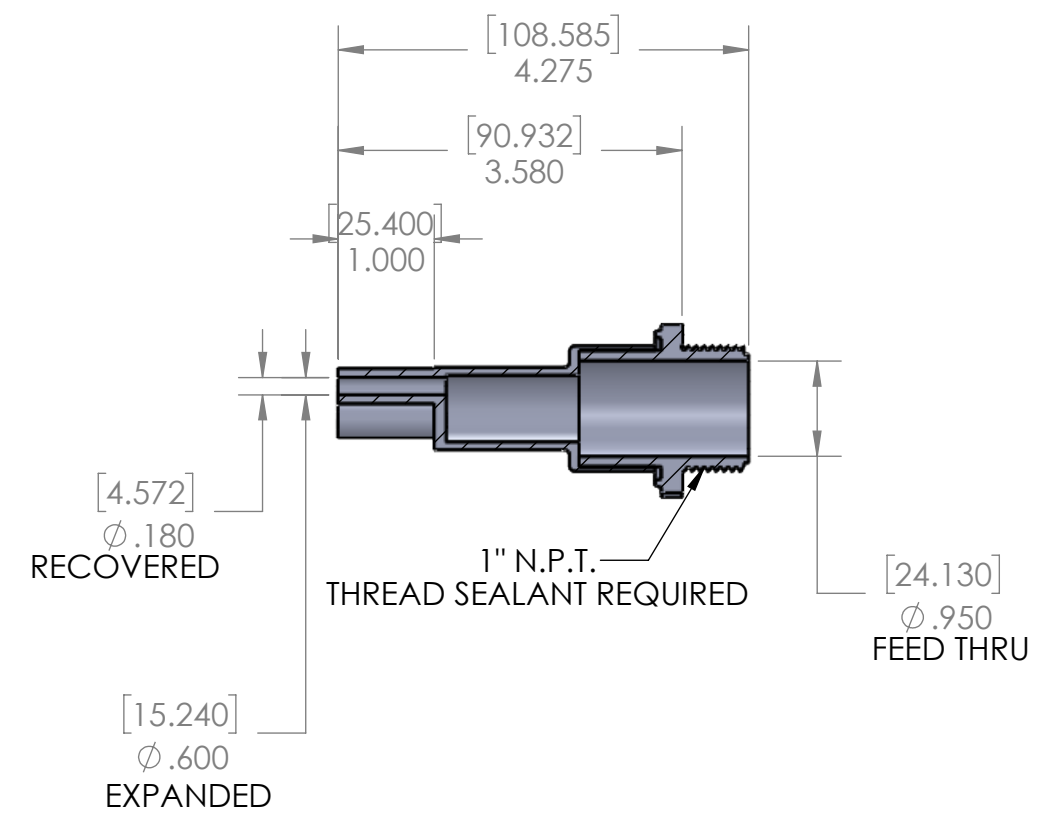
8 7 6 5 4 3 2 1

D
C
B
A

D
C
B
A



SECTION A-A



ITEM	PART DESCRIPTION	PART NO.	MATERIAL
①	Heat-shrinkable boot	NUBB3-2	HS 3123
②	Body	P-3A	Nylon
③	O-ring		Buna
④	Nut		Nylon
⑤	Adhesive	A-010	Hotmelt ADH
⑥			

Nu-Tech

UNLESS OTHERWISE SPECIFIED:
 DIMENSIONS ARE IN INCHES
 TOLERANCES:
 FRACTIONAL ± 1/32
 THREE PLACE DECIMAL ± 0.030

DO NOT SCALE DRAWING

By: Keven DATE: 5/21/2021

PART NO. **3A-NUP-3B**

DWG. NO. PRP:"SW-Title"

WEIGHT: SW-Mass@par19.SLDPRT REV

SCALE: 1:2 SHEET 1 OF 1

8 7 6 5 4 3 2 1