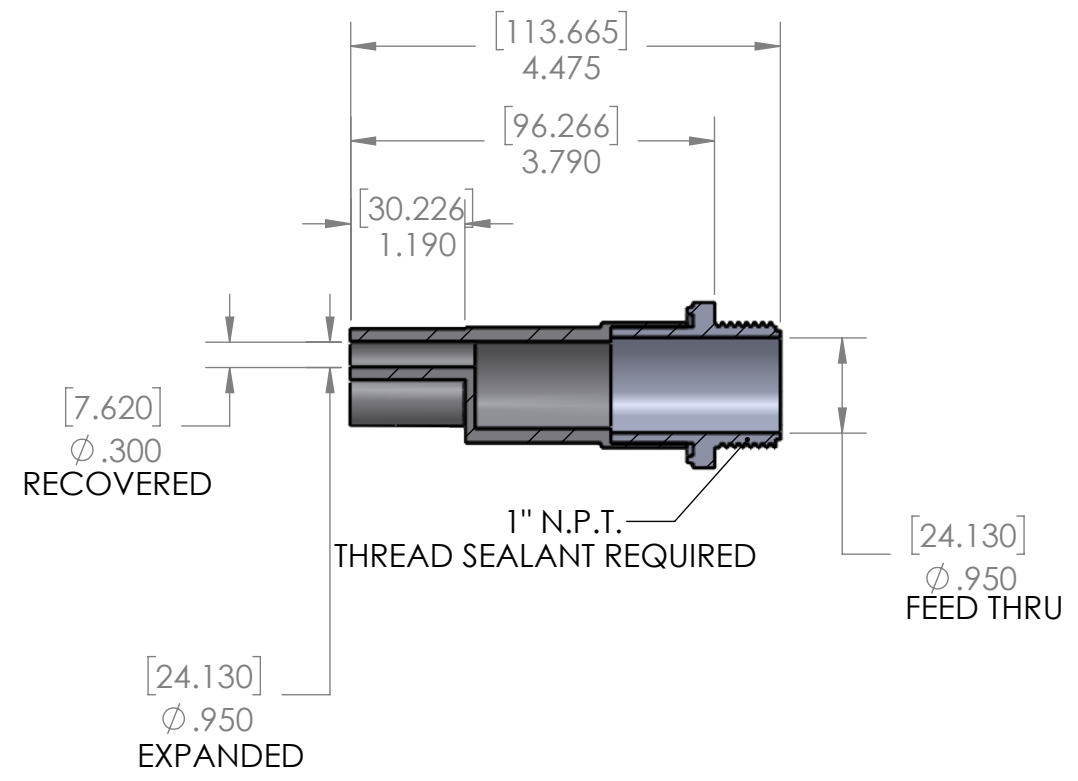
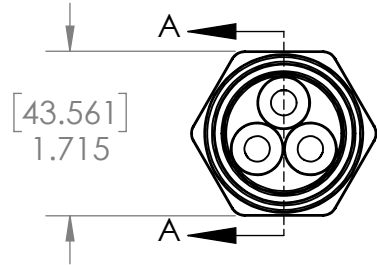
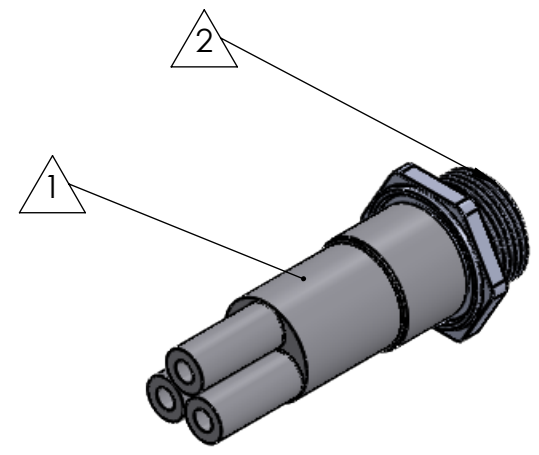


8 7 6 5 4 3 2 1

D
C
B
A



SECTION A-A

ITEM	PART DESCRIPTION	PART NO.	MATERIAL	Nu-Tech		
①	Heat-shrinkable boot	NUBB3-3	HS 3123			UNLESS OTHERWISE SPECIFIED: DIMENSIONS ARE IN INCHES TOLERANCES: FRACTIONAL ±1/32 THREE PLACE DECIMAL ± 0.030 DO NOT SCALE DRAWING
②	Body	P-3A	Nylon	DWG. NO. PRP:"SW-Title"		
③	O-ring		Buna	WEIGHT: SW-Mass@par19.SLDPRT	REV	
④	Nut		Nylon	By: Keven	DATE: 6/1/2021	
⑤	Adhesive	A-010	Hotmelt ADH	SCALE: 1:2	SHEET 1 OF 1	
⑥						

8 7 6 5 4 3 2 1