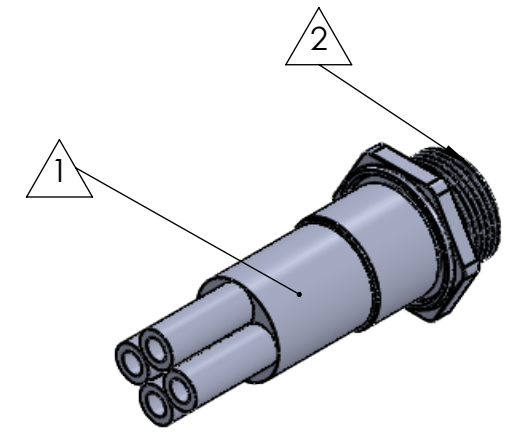


SECTION A-A



ITEM	PART DESCRIPTION	PART NO.	MATERIAL	Nu-Tech	
①	Heat-shrinkable boot	NUBB4-3	HS 3123		
②	Body	P-3A	Nylon	DWG. NO. PRP:"SW-Title"	
③	O-ring		Buna		
④	Nut		Nylon	SCALE: 1:2 SHEET 1 OF 1	
⑤	Adhesive	A-010	Hotmelt ADH		
⑥				DO NOT SCALE DRAWING	

UNLESS OTHERWISE SPECIFIED:
DIMENSIONS ARE IN INCHES
TOLERANCES:
FRACTIONAL ±1/32
THREE PLACE DECIMAL ± 0.030

DO NOT SCALE DRAWING