

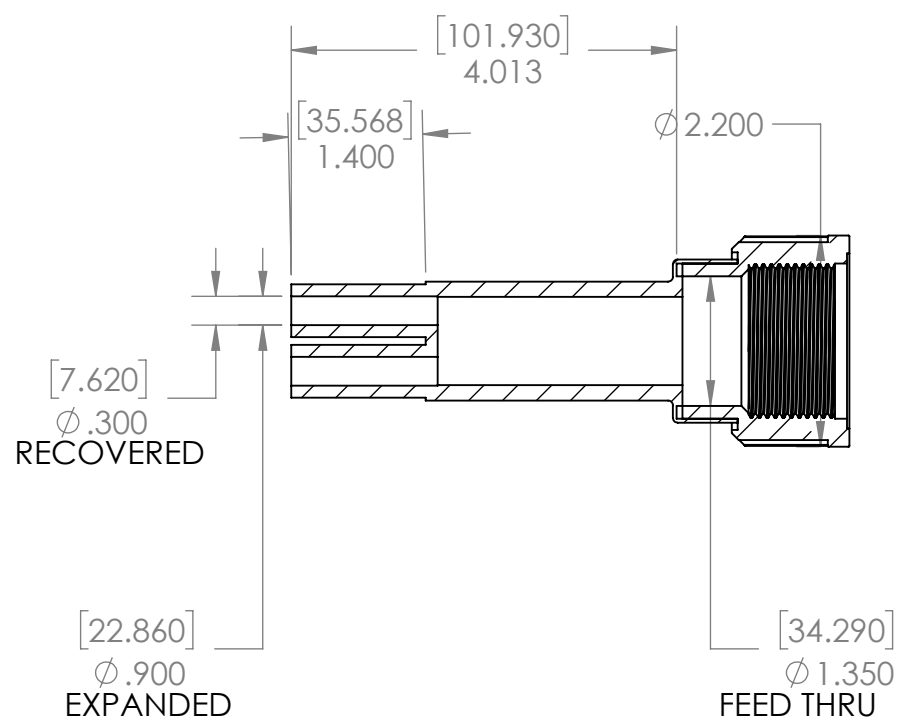
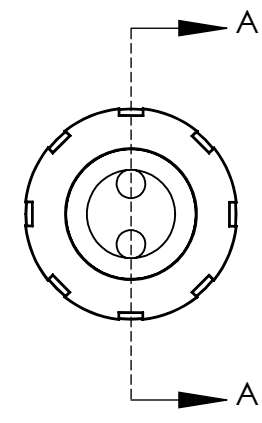
8 7 6 5 4 3 2 1

D

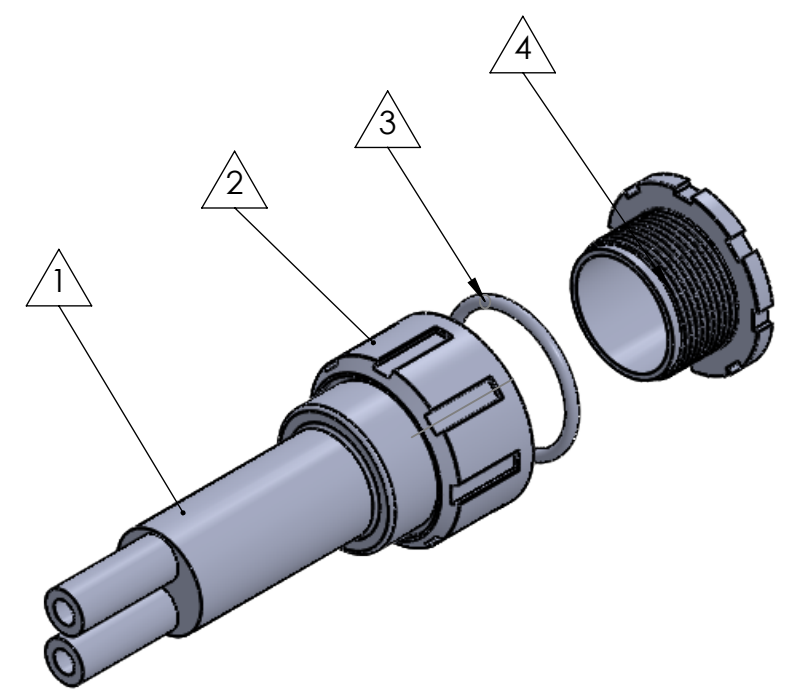
C

B

A



SECTION A-A  
SCALE 1 : 2



ITEM	PART DESCRIPTION	PART NO.	MATERIAL
1	Heat-shrinkable boot	NUBB2-3	HS 3123
2	Body	S-3XB	Nylon
3	O-ring	S-3XOR	Buna
4	Nut	S-3XN	Nylon
5	Adhesive	A-010	Hotmelt ADH
6			

**Nu-Tech**

UNLESS OTHERWISE SPECIFIED:  
DIMENSIONS ARE IN INCHES  
TOLERANCES:  
FRACTIONAL ±1/32  
THREE PLACE DECIMAL ± 0.030  
DO NOT SCALE DRAWING  
By: Keven

PART NO. **3X-NUS-2C**  
DWG. NO. PRP:"SW-Title"  
WEIGHT: SW-Mass@par19.SLDPRT  
SCALE: 1:4  
DATE: 5/20/2021  
REV  
SHEET 1 OF 1

8 7 6 5 4 3 2 1