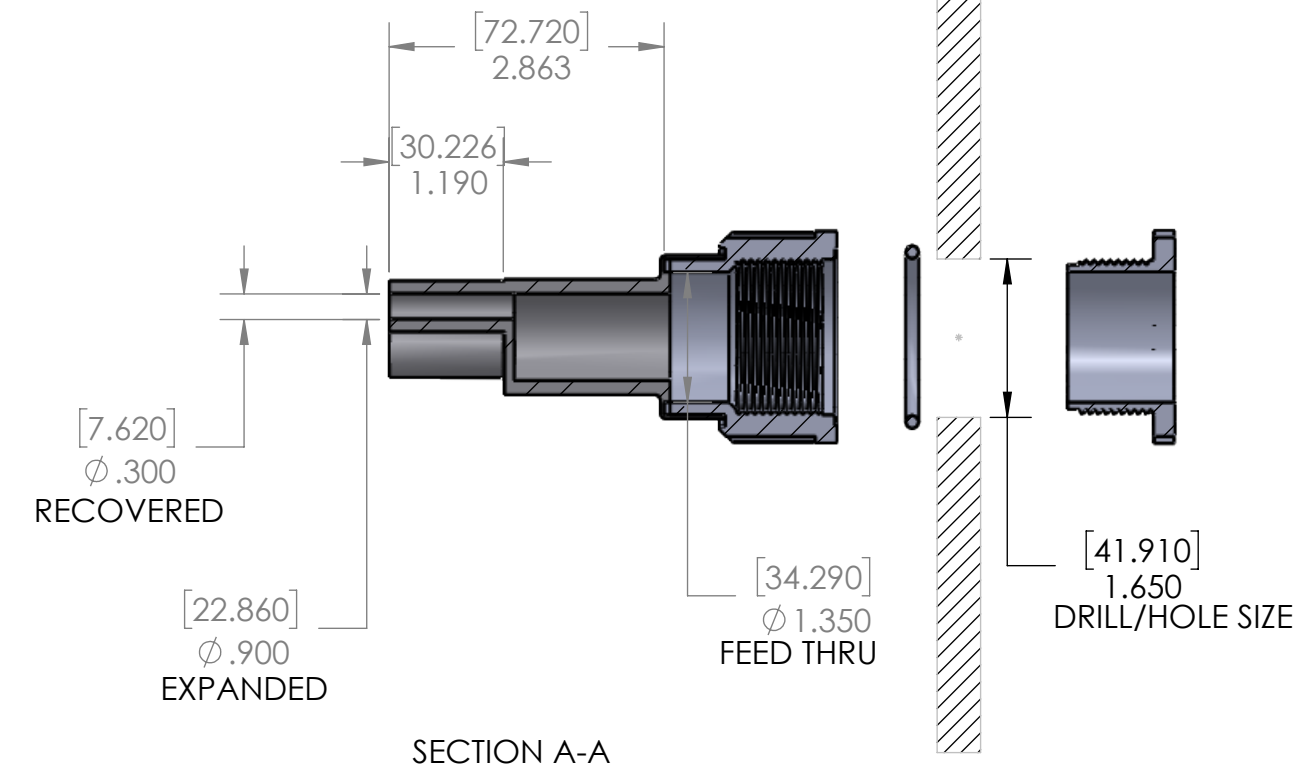
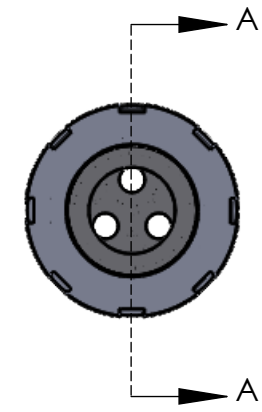
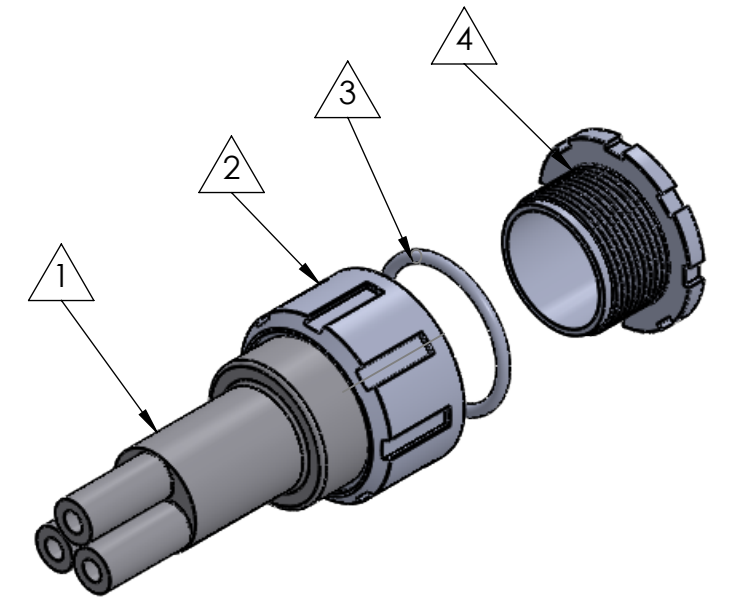


8 7 6 5 4 3 2 1

D  
C  
B  
A

D  
C  
B  
A



ITEM	PART DESCRIPTION	PART NO.	MATERIAL
①	Heat-shrinkable boot	NUBB3-3	HS 3123
②	Body	S-3XB	Nylon
③	O-ring	S-3XOR	Buna
④	Nut	S-3XN	Nylon
⑤	Adhesive	A-010	Hotmelt ADH
⑥			

**Nu-Tech**

UNLESS OTHERWISE SPECIFIED:  
 DIMENSIONS ARE IN INCHES  
 TOLERANCES:  
 FRACTIONAL  $\pm 1/32$   
 THREE PLACE DECIMAL  $\pm 0.030$

DO NOT SCALE DRAWING

By: Keven      DATE: 5/28/2021

PART NO. **3X-NUS-3C**

DWG. NO. PRP:"SW-Title"

WEIGHT: SW-Mass@par19.SLDPRT      REV

SCALE: 1:2      SHEET 1 OF 1

8 7 6 5 4 3 2 1