

8 7 6 5 4 3 2 1

D

D

C

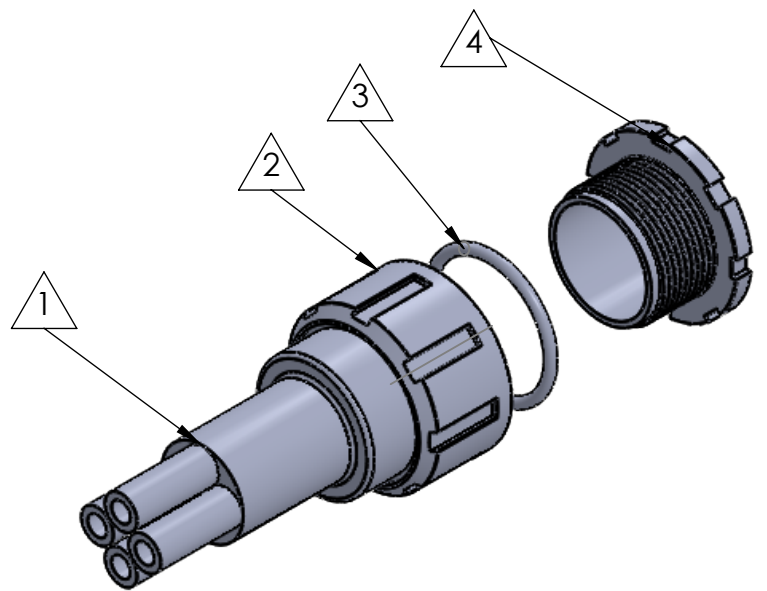
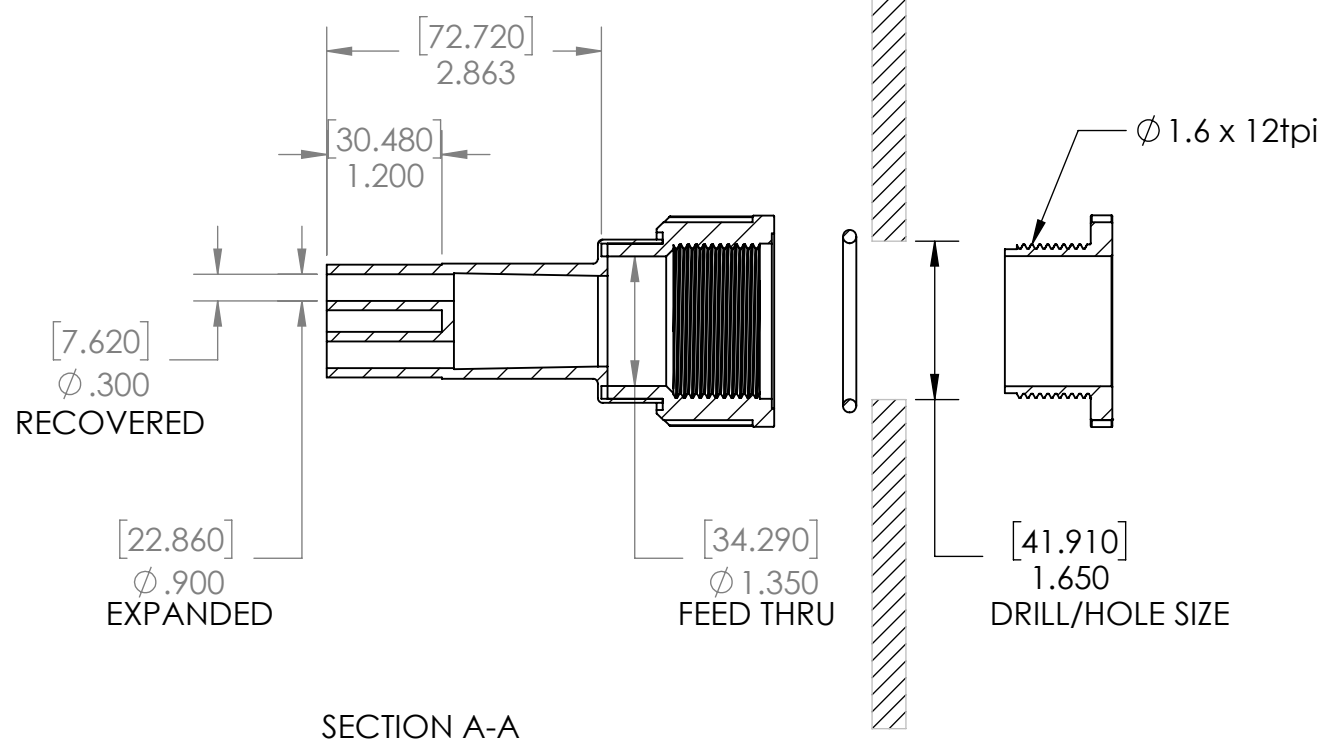
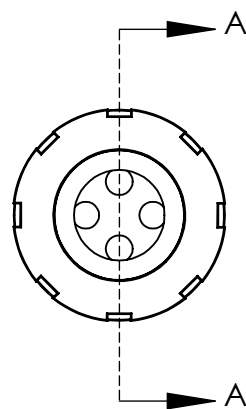
C

B

B

A

A



ITEM	PART DESCRIPTION	PART NO.	MATERIAL
①	Heat-shrinkable boot	NUBB4-3	HS 3123
②	Body	S-3XB	Nylon
③	O-ring	S-3XOR	Buna
④	Nut	S-3XN	Nylon
⑤	Adhesive	A-010	Hotmelt ADH
⑥			

Nu-Tech

UNLESS OTHERWISE SPECIFIED:
 DIMENSIONS ARE IN INCHES
 TOLERANCES:
 FRACTIONAL ±1/32
 THREE PLACE DECIMAL ± 0.030

PART NO.
3X-NUS-4C

DWG. NO. PRP:"SW-Title"

WEIGHT: SW-Mass@par19.SLDPRT REV

SCALE: 1:2

DO NOT SCALE DRAWING

By: Keven

DATE: 5/28/2021

SHEET 1 OF 1

8 7 6 5 4 3 2 1