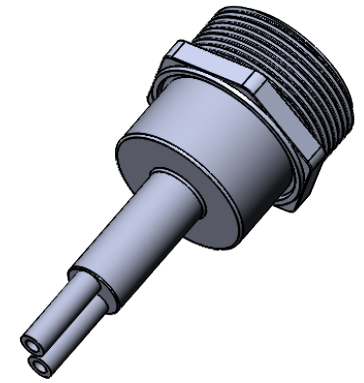
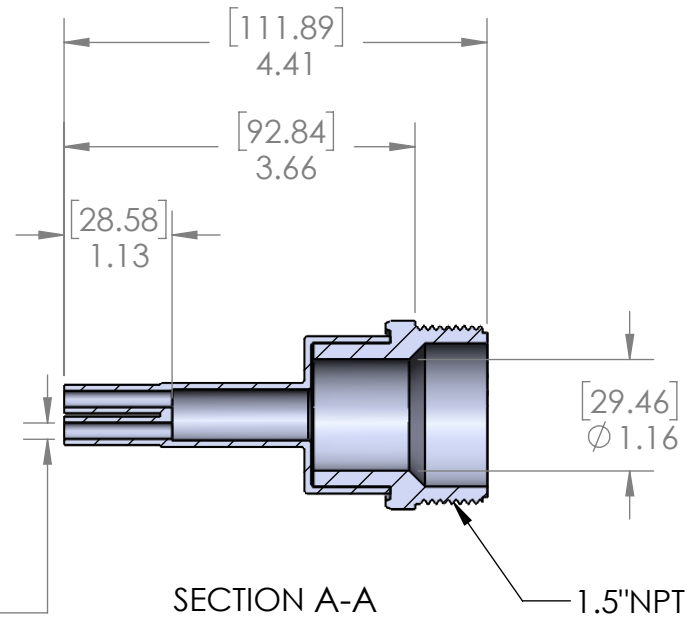
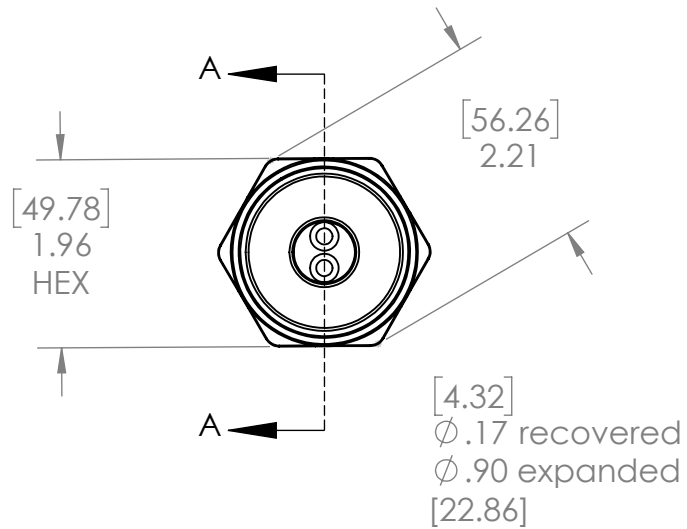


B



FEED THRU

B

A

UNLESS OTHERWISE SPECIFIED:		NAME	DATE	NU-TECH	
DIMENSIONS ARE IN INCHES		DRAWN	RB	2-2020	TITLE:  <b>4-NUP-2B</b>
TOLERANCES:		CHECKED			
FRACTIONAL ±		ENG APPR.			
ANGULAR: MACH ± BEND ±		MFG APPR.			
TWO PLACE DECIMAL ± .03		Q.A.			SIZE DWG. NO. REV
THREE PLACE DECIMAL ± .015		COMMENTS:	HOT MELT: ADH		
INTERPRET GEOMETRIC TOLERANCING PER:					SCALE: 1:2 SHEET 1 OF 1
MATERIAL <b>POLYOLEFIN</b>					
FINISH					
DO NOT SCALE DRAWING					

2

1